



MILLING PLANS

SINGLE DOORS

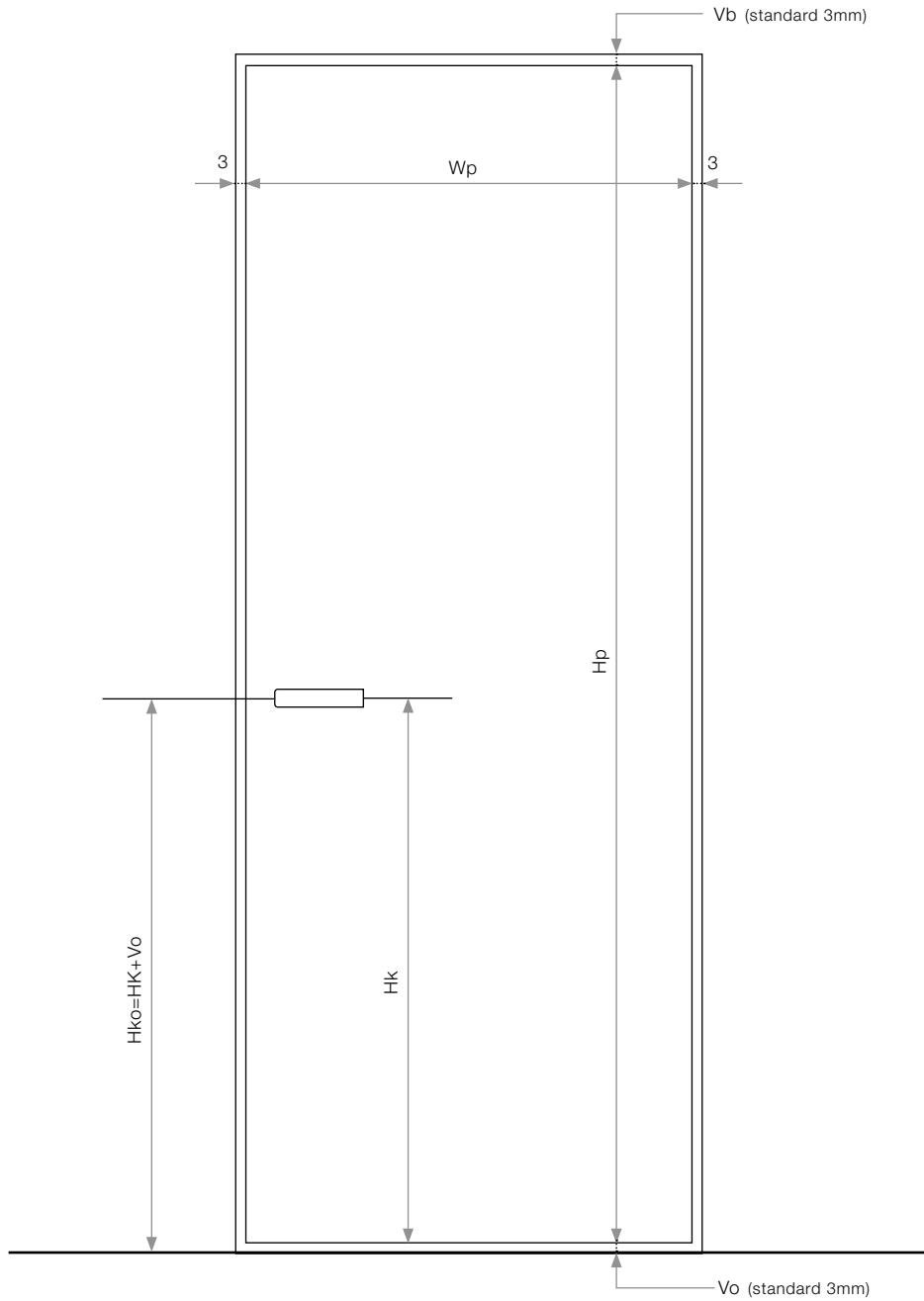
1	DOORS	P06
2	HINGES	P08
3	LOCKS	P18
4	DOOR HANDLES AND ACCESSORIES	P26
5	EXTRA	P34

DOUBLE DOORS

1	DOORS	P47
2	LOCKS	P49

This information is based on the product properties in 2023/01. Technical improvements and product development may cause technical changes. The hardware manufacturers may vary dimensions in future without prior notice. This document is made to inform you in the best way but contains no liability to printing errors or technical changes beyond our competence. Reprint, reproduction or translation, partly or completely, is not allowed without the written permission of Xinnix Door Systems bv. All trademarks are registered trademarks.

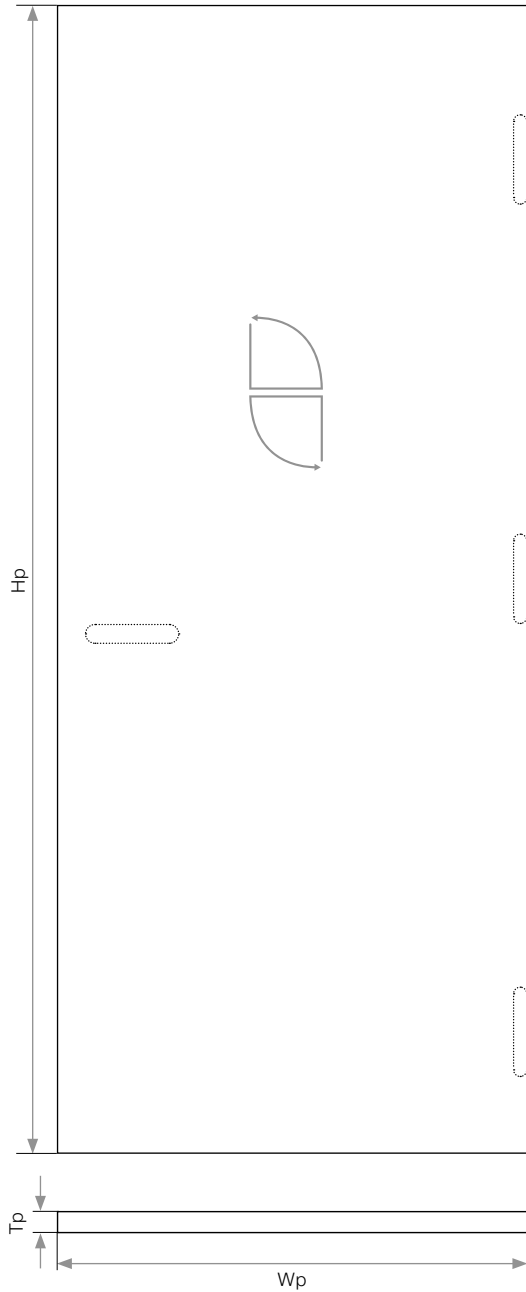
GENERAL VIEW DOOR EU RIGHT



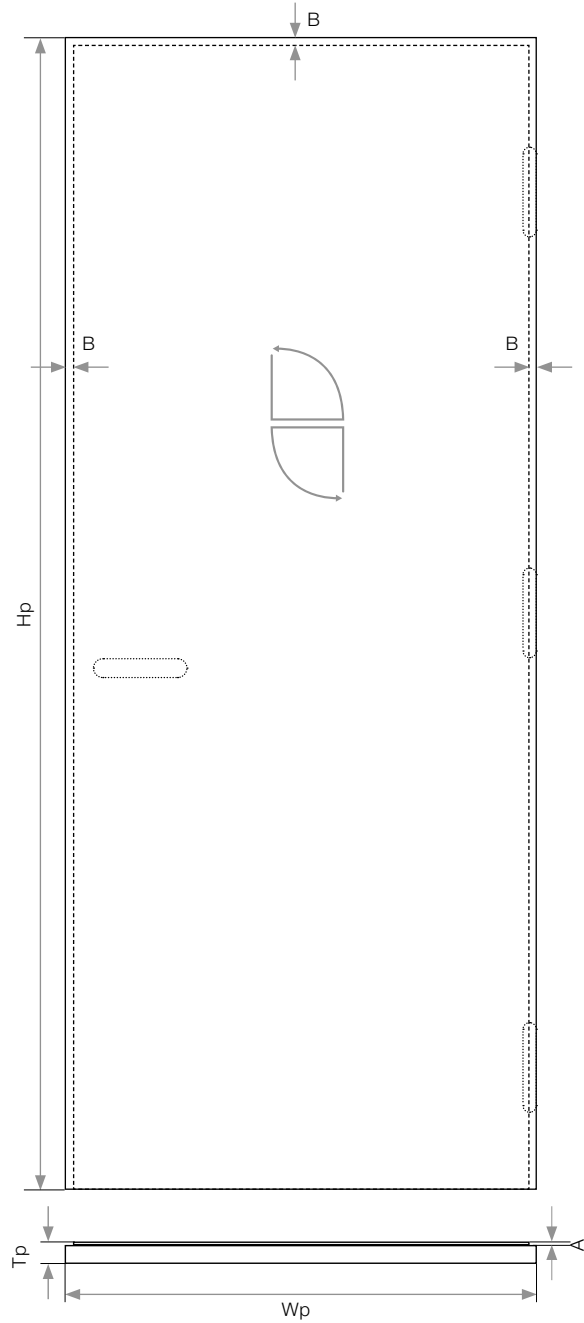
- Hp** Height door panel
- Wp** Width door panel
- Hk** Height handle on door
- Hko** Height floor to handle
- Vb** Upper ventilation
- Vo** Under ventilation

REBATES

DOOR **TYPE A** EU RIGHT



DOOR **TYPE B** EU RIGHT



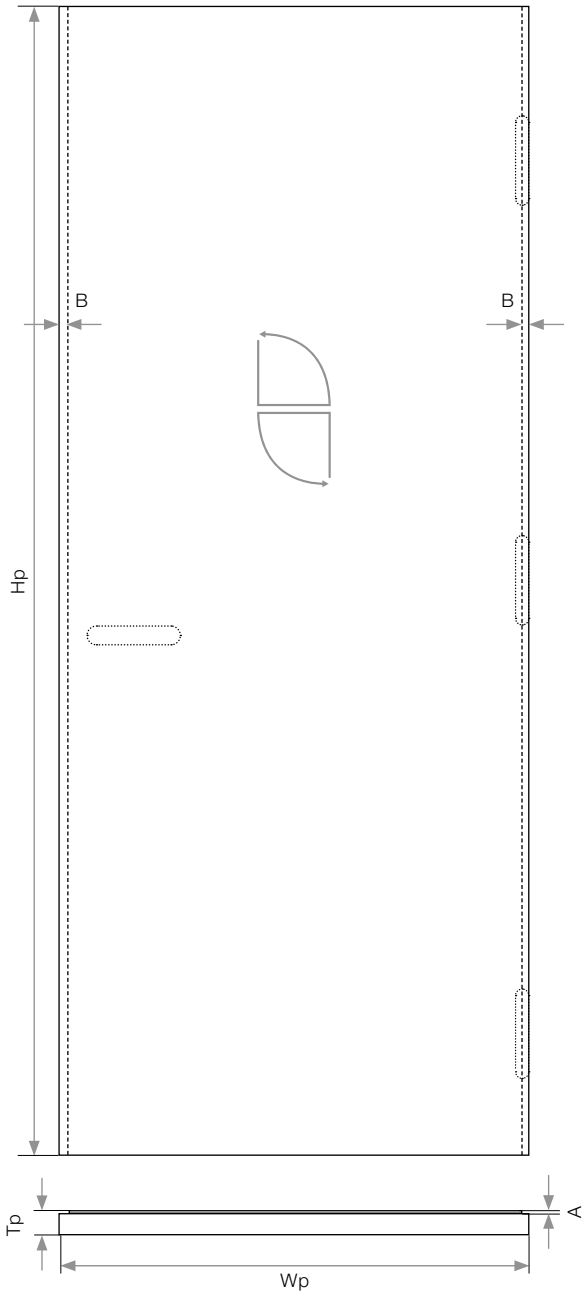
	TP	A (mm)	B (mm)	PULL	PUSH	CH*
X1	40	-	-	x	-	x
X240	40	-	-	x	-	x
X245	44-45	-	-	x	-	x
X250	50	-	-	x	-	x

*ceiling high

	TP	A (mm)	B (mm)	PULL	PUSH
X40V	40	7	11	x	x
X45V	44-45	7	11	x	x
X1V	50	12	13	x	-
X240V	50	12	13	x	x
X245V	55	12	13	x	x
X250V	60	12	13	x	x

REBATES

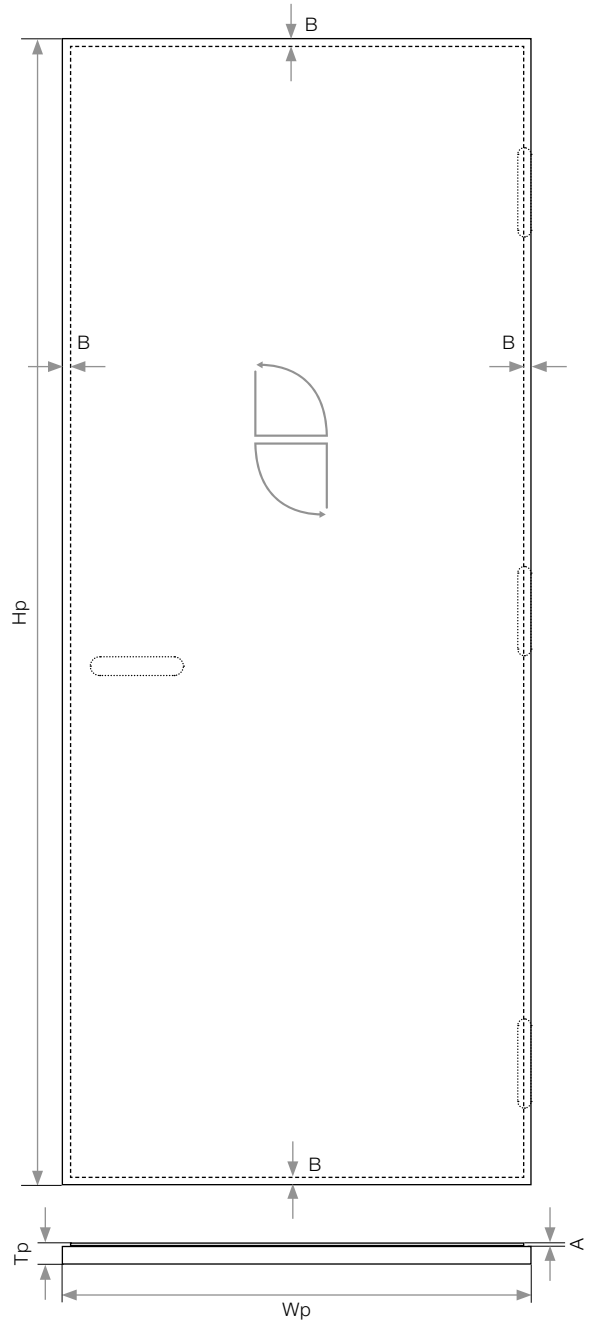
DOOR TYPE C EU RIGHT



	TP	A (mm)	B (mm)	PULL	PUSH	CH*
X40T	40	7	11	x	x	-
X45T	44-45	7	11	x	x	-
X1C	50	12	13	x	-	x
X240C	50	12	13	x	x	x
X245C	55	12	13	x	x	x
X250C	60	12	13	x	x	x

*ceiling high

DOOR TYPE D EU RIGHT

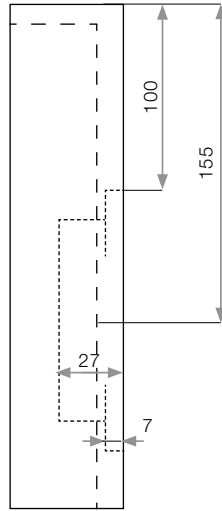
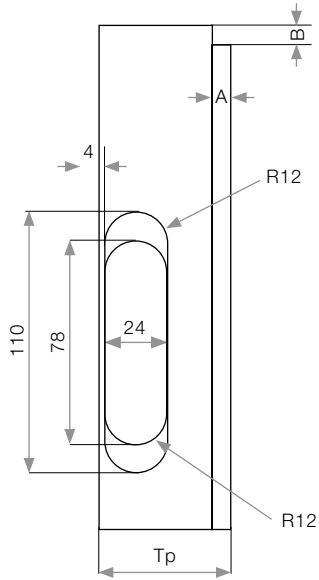


	TP	A (mm)	B (mm)	PULL	PUSH
X40W	40	7	11	x	x
X45W	44-45	7	11	x	x
X1W	50	12	13	x	-
X240W	50	12	13	x	x
X245W	55	12	13	x	x
X250W	60	12	13	x	x

HINGES FOR DOOR PANELS EU RIGHT



X1-X240-X245-X250-X40-X45



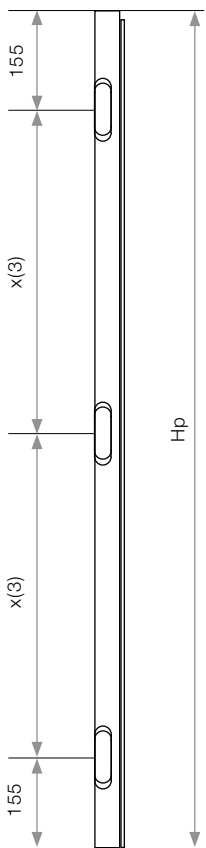
A24.0(white)

- A24.1(F1)
- A24.2(black)
- X4030.G(grey)
- X4030.W(white)
- X4030.B(black)

STANDARD

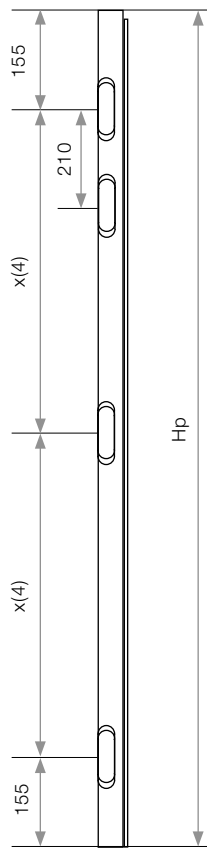
- On request
- On request
- On request
- On request
- On request

3 HINGES



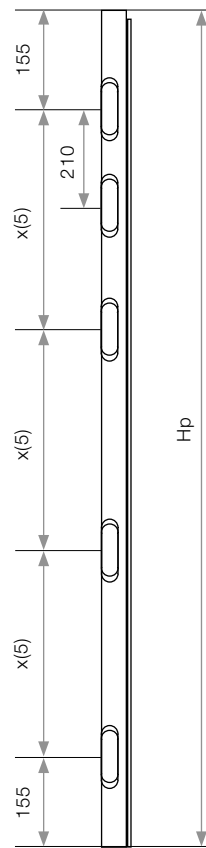
$$X(3)=(Hp-310)/2$$

4 HINGES



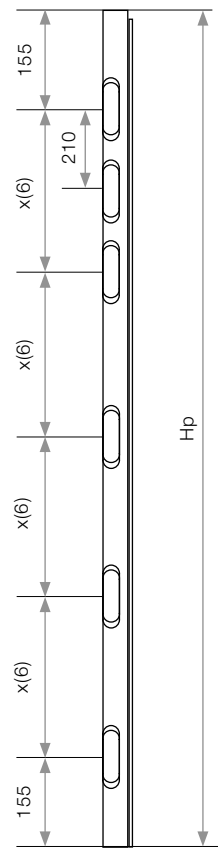
$$X(4)=(Hp-310)/2$$

5 HINGES



$$X(5)=(Hp-310)/3$$

6 HINGES

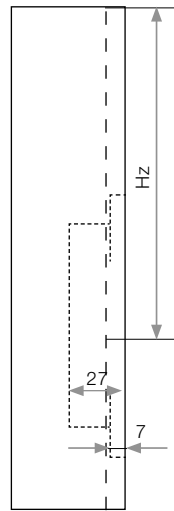
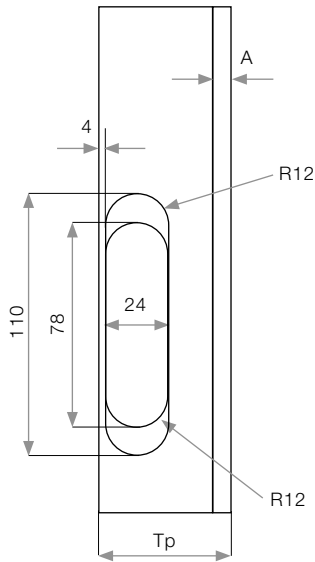


$$X(6)=(Hp-310)/4$$

HINGES FOR UNIVERSAL DOOR PANELS EU RIGHT



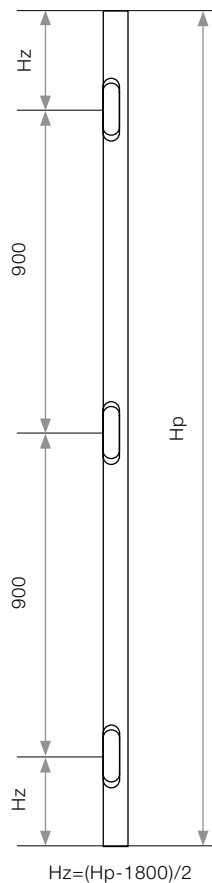
X40TU-X45TU



A24.0(white)	STANDARD
A24.1(F1)	On request
A24.2(black)	On request
X4030.G(grey)	On request
X4030.W(white)	On request
X4030.B(black)	On request

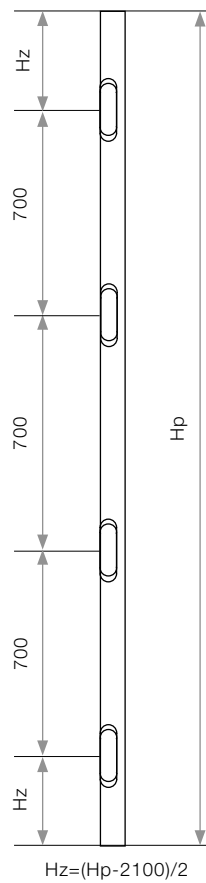
Hz min=115mm
Hz max=305mm

UNIVERSAL
3 HINGES



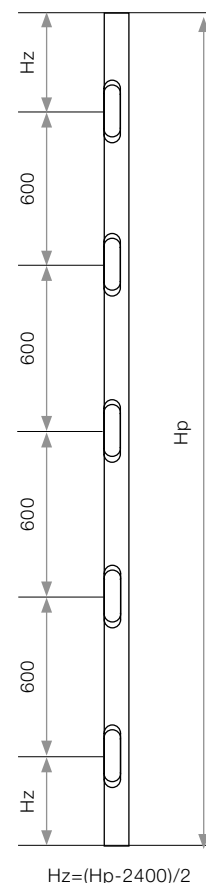
2110mm<Hp<2410mm
X40/45-TU2100-2410...

UNIVERSAL
4 HINGES



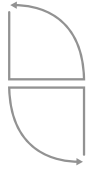
2410mm<Hp<2710mm
X40/45-TU2410-2710...

UNIVERSAL
5 HINGES

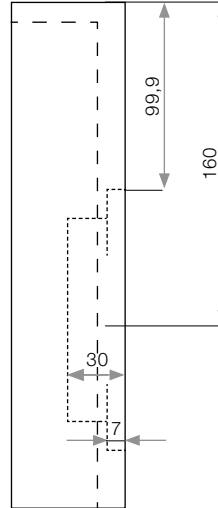
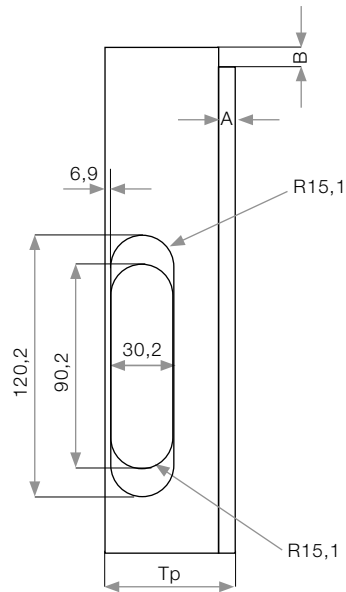


2710mm<Hp<3010mm
X40/45-TU2710-3010...

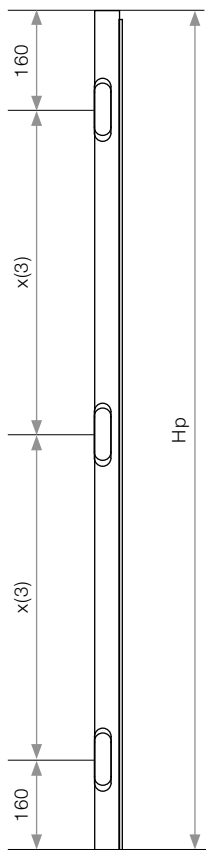
A30 HINGES FOR DOOR PANELS EU RIGHT



X1-X245-X250

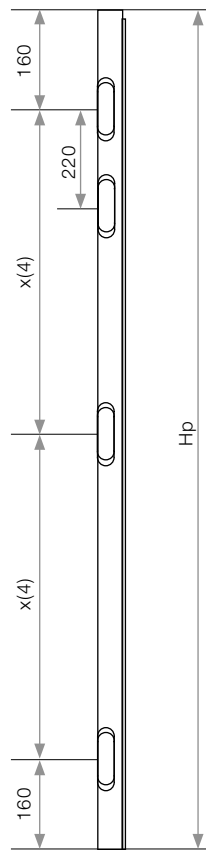


3 HINGES



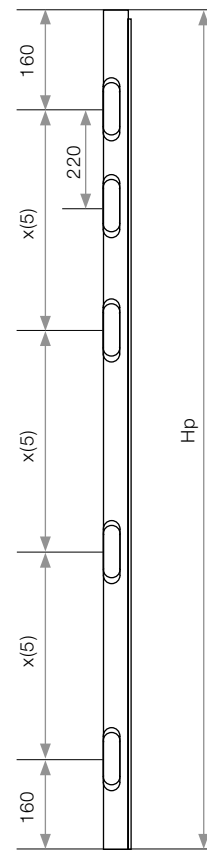
$$X(3) = (Hp - 320) / 2$$

4 HINGES



$$X(4) = (Hp - 320) / 2$$

5 HINGES

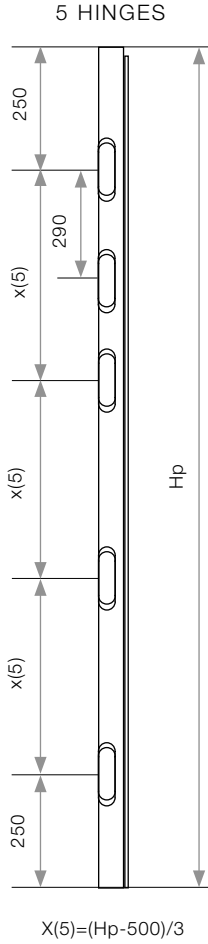
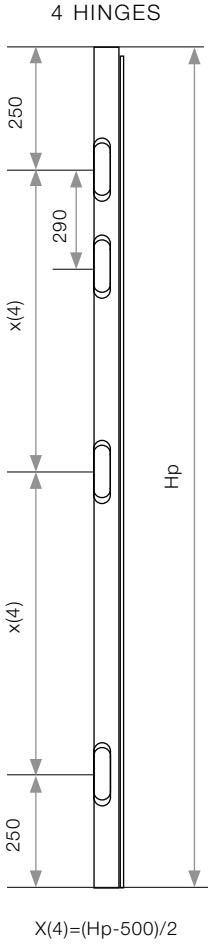
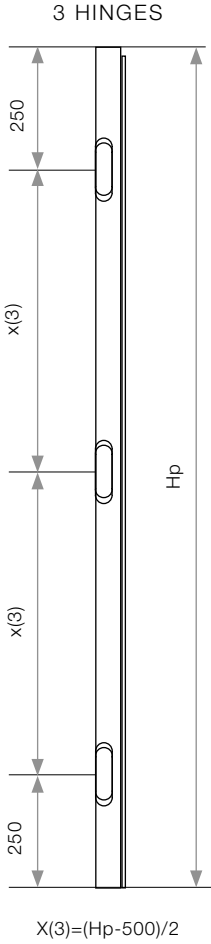
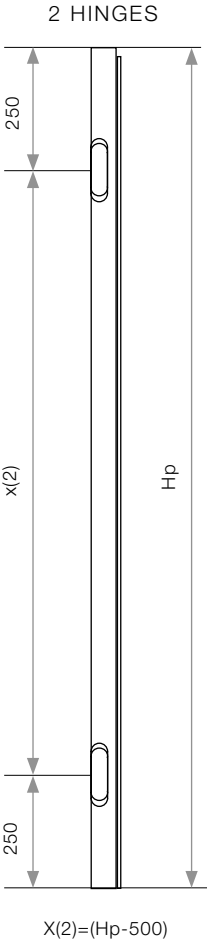
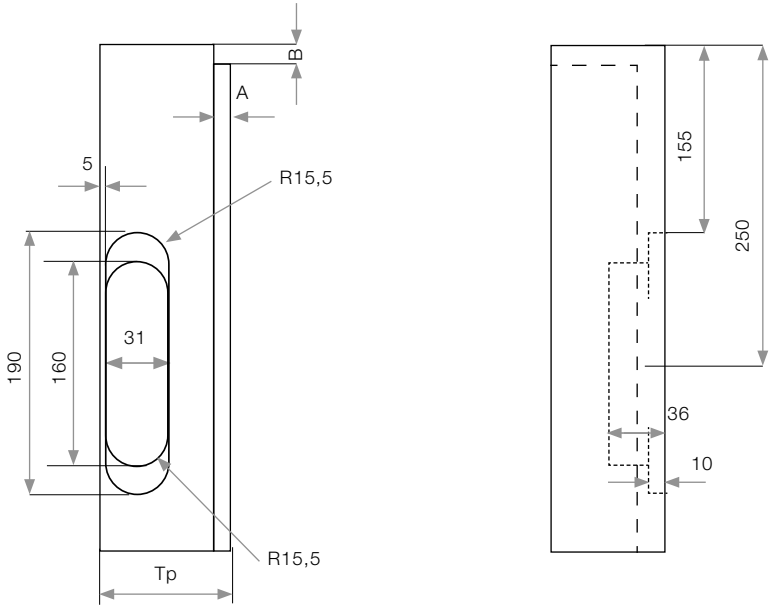


$$X(5) = (Hp - 320) / 3$$

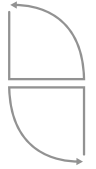
A31 **HINGES** FOR DOOR PANELS EU RIGHT



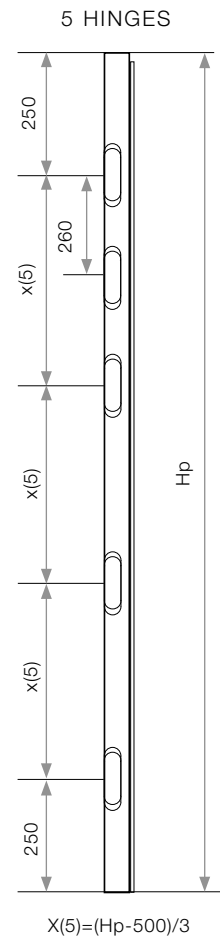
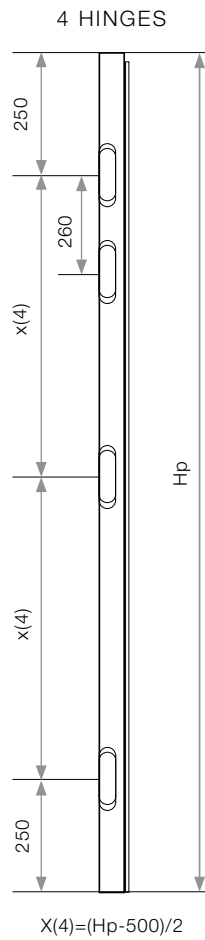
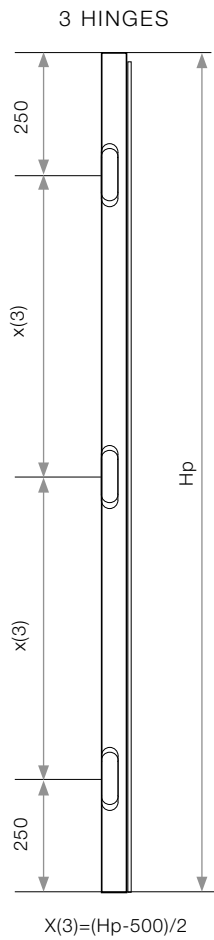
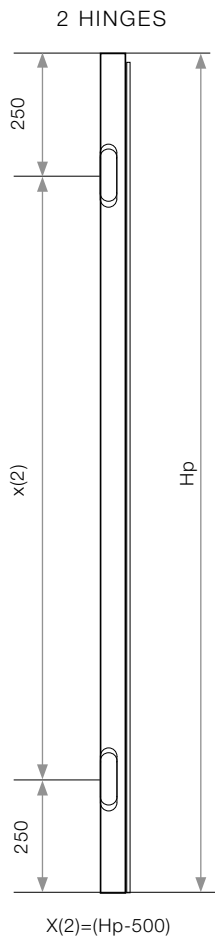
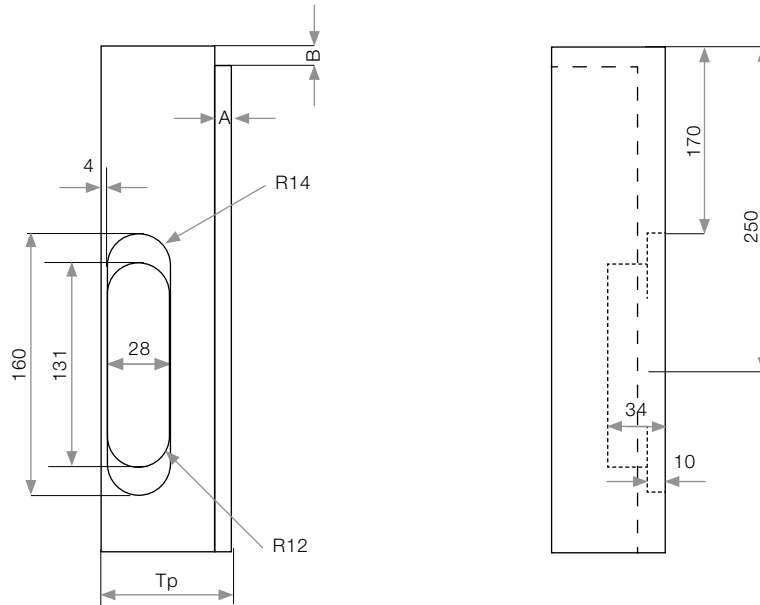
X1-X245-X250



TE 340 3D **HINGES** FOR DOOR PANELS EU RIGHT



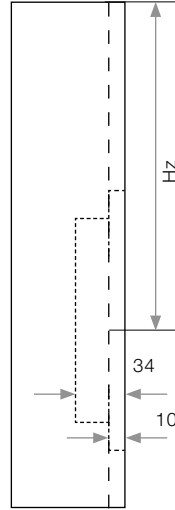
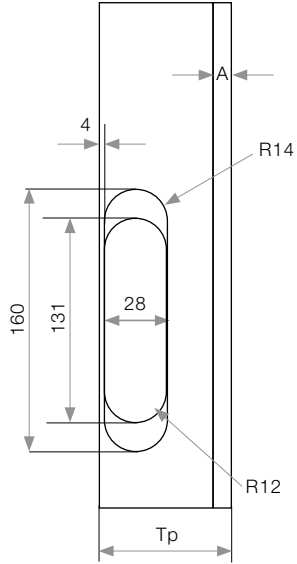
X1-X240-X245-X250-X45



TE 340 3D **HINGES** FOR DOOR PANEL EU RIGHT

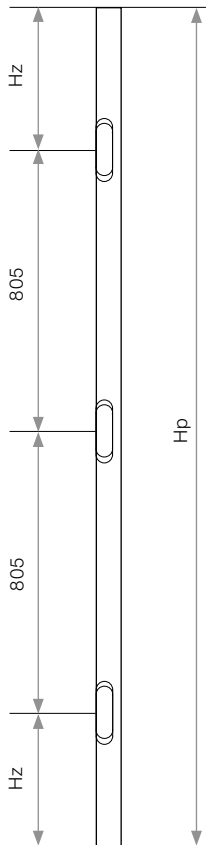


X45TU



Hz min: 250mm
Hz max: 400mm

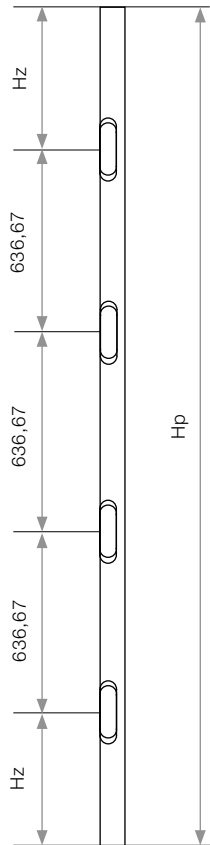
UNIVERSAL
3 HINGES



$$Hz = (Hp - 1610) / 2$$

2110mm < Hp < 2410mm
X45-TU2100-2410...

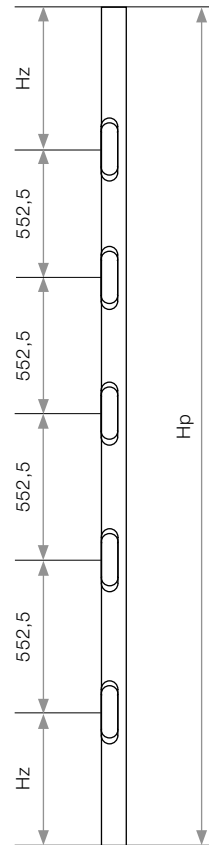
UNIVERSAL
4 HINGES



$$Hz = (Hp - 1910) / 2$$

2410mm < Hp < 2710mm
X45-TU2410-2710...

UNIVERSAL
5 HINGES



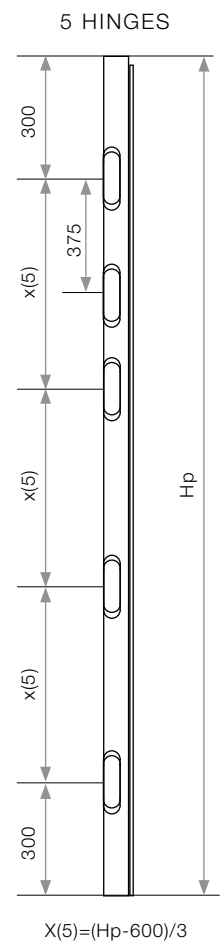
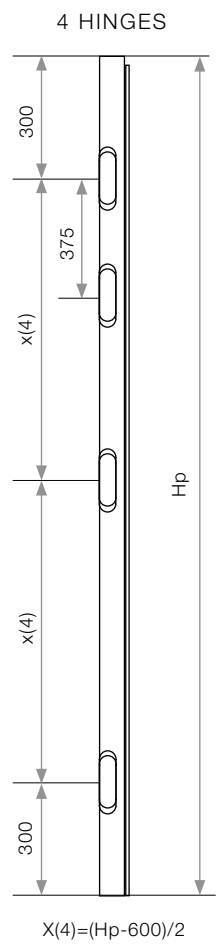
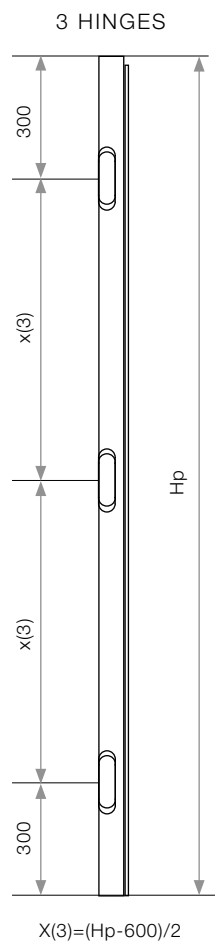
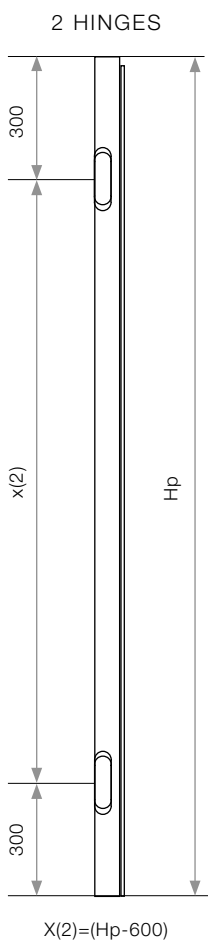
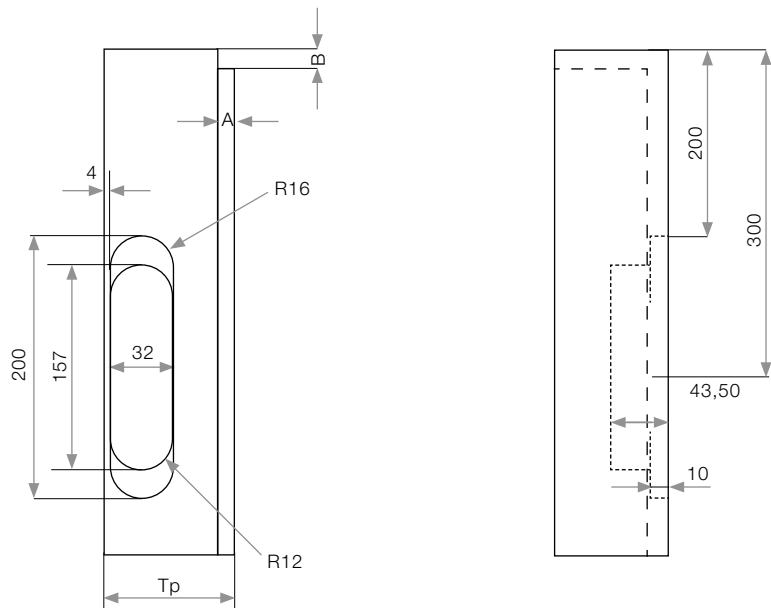
$$Hz = (Hp - 2210) / 2$$

2710mm < Hp < 3010mm
X45-TU2710-3010...

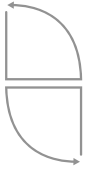
TE 540 3D **HINGES** FOR DOOR PANELS EU RIGHT



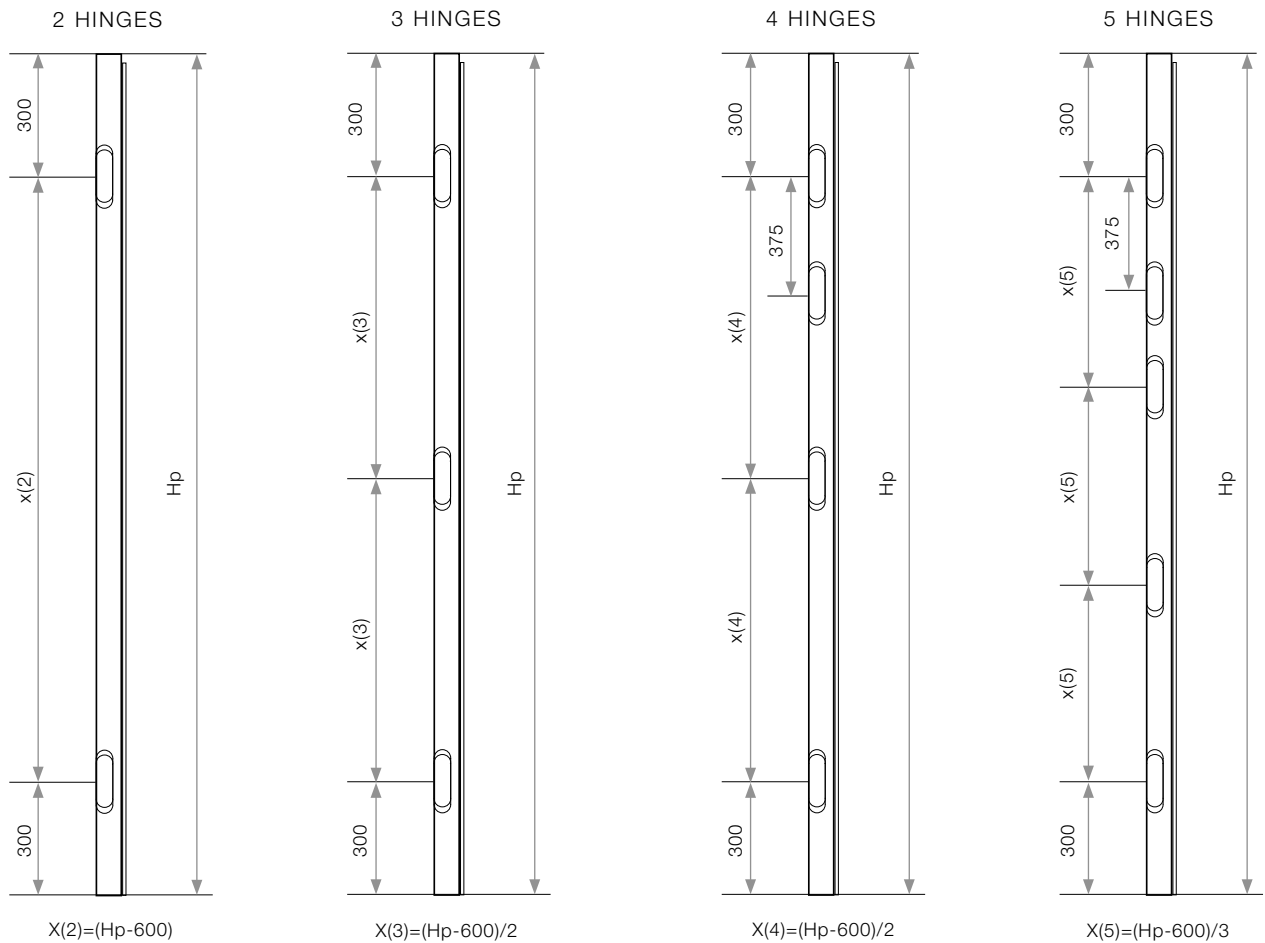
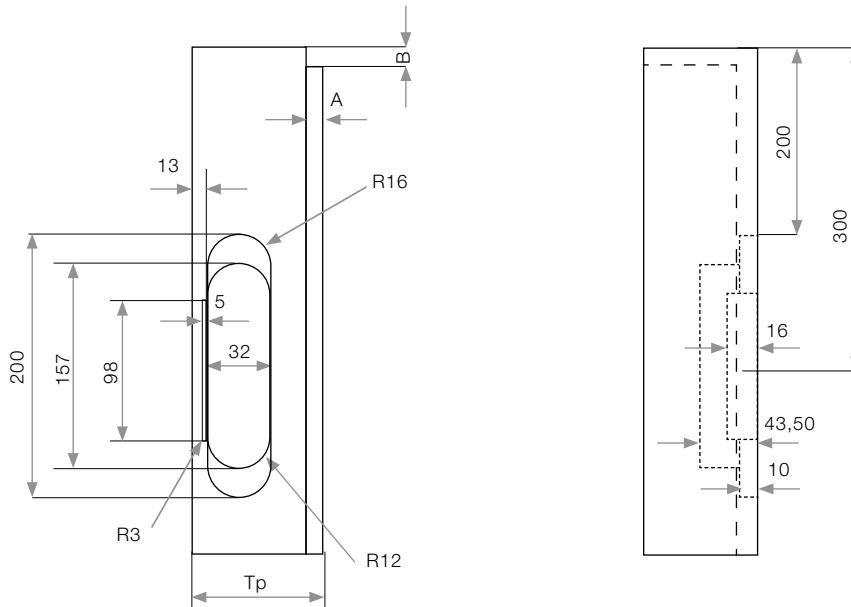
X1-X250



TE 540 3D A8 **HINGES** FOR DOOR PANELS EU RIGHT



X250



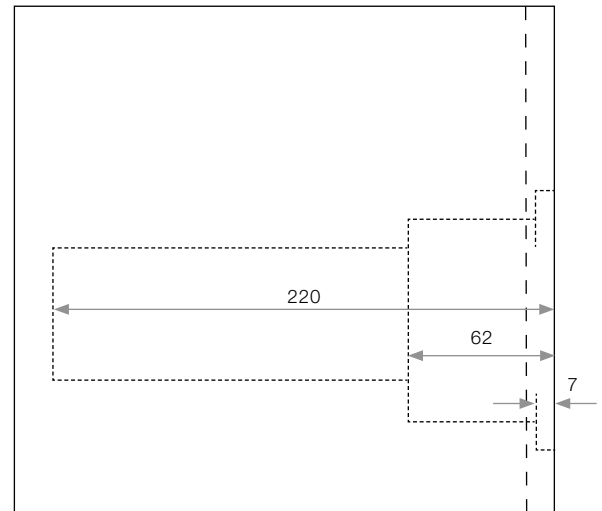
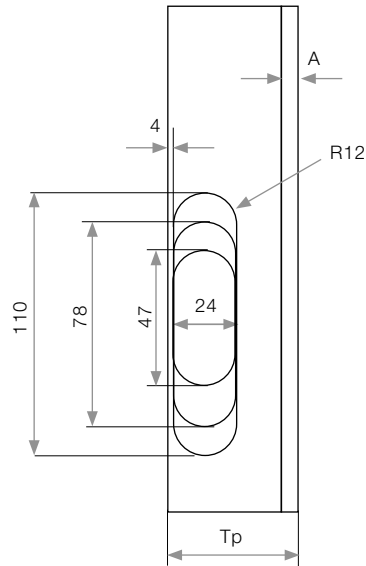
SELF CLOSING HINGES X4030



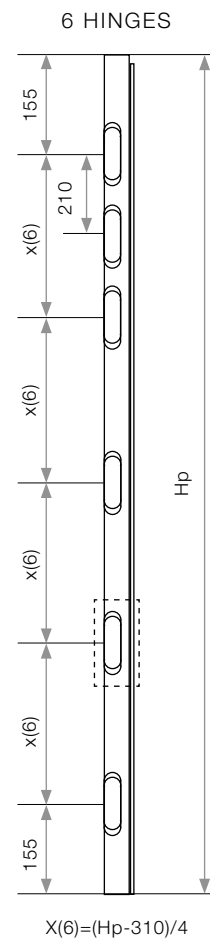
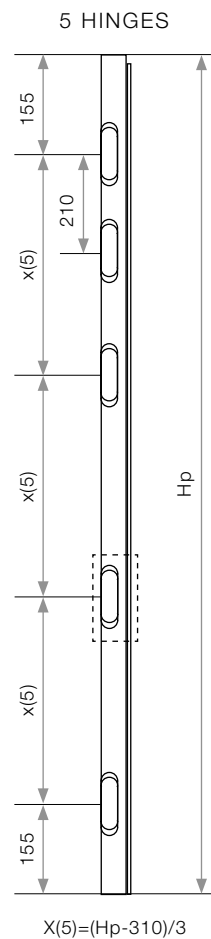
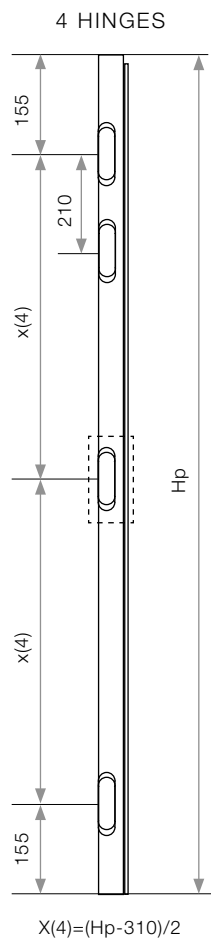
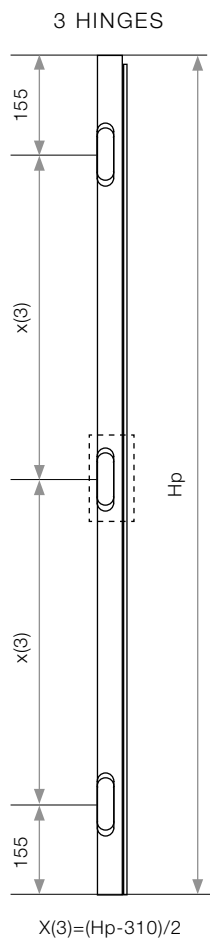
X1-X240-X245-X250-X40-X45

The Hinges:

X4030-SC.W STANDARD
X4030-SC.B on request



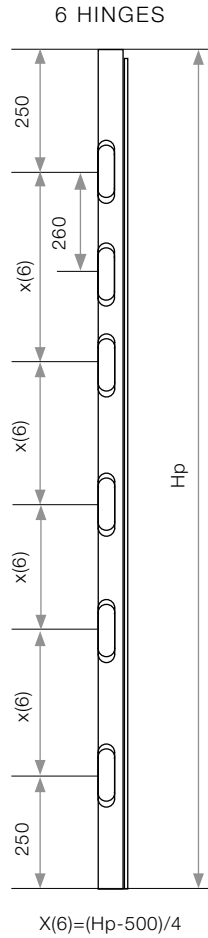
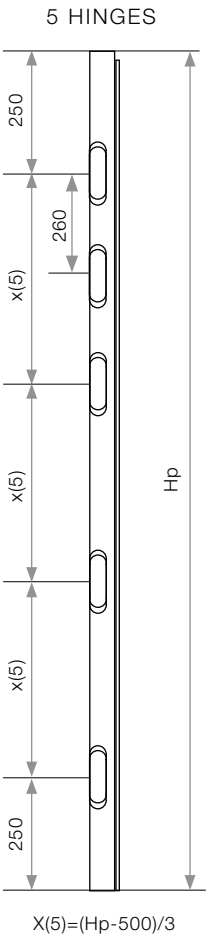
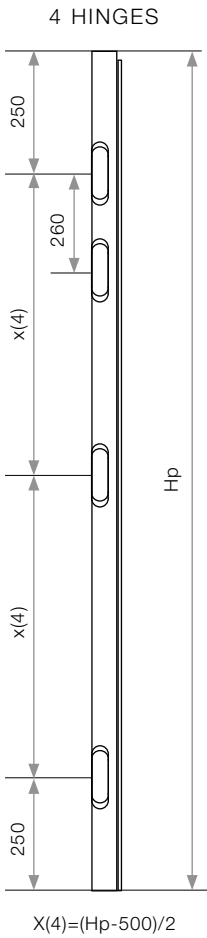
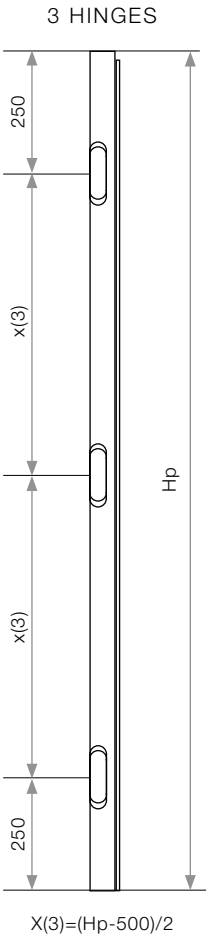
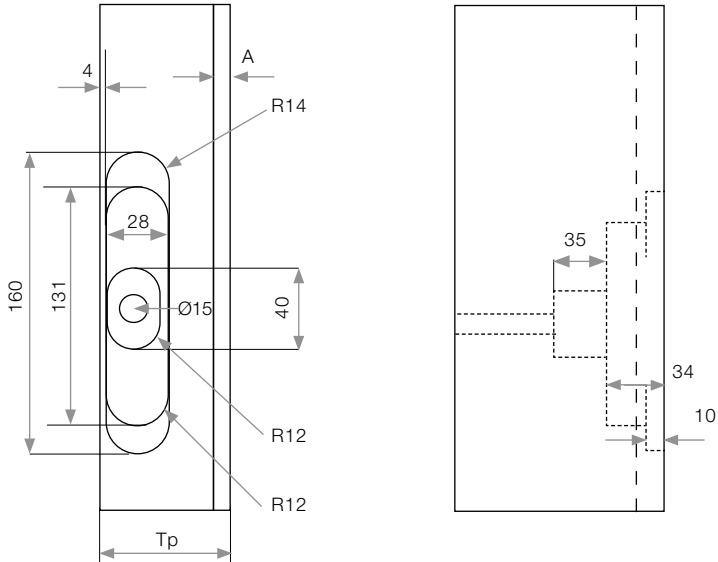
Self closing hinge



TE 340 ENERGY **HINGES** FOR DOOR PANELS EU RIGHT



X1-X240-X245-X250



XINNIX LOCKS FOR DOOR PANELS EU RIGHT



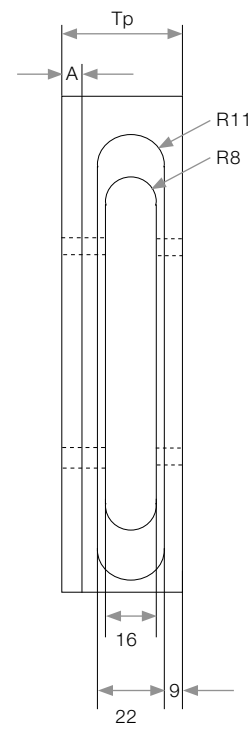
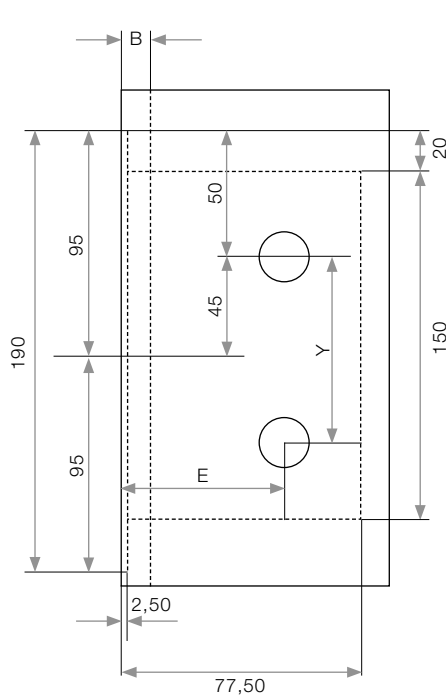
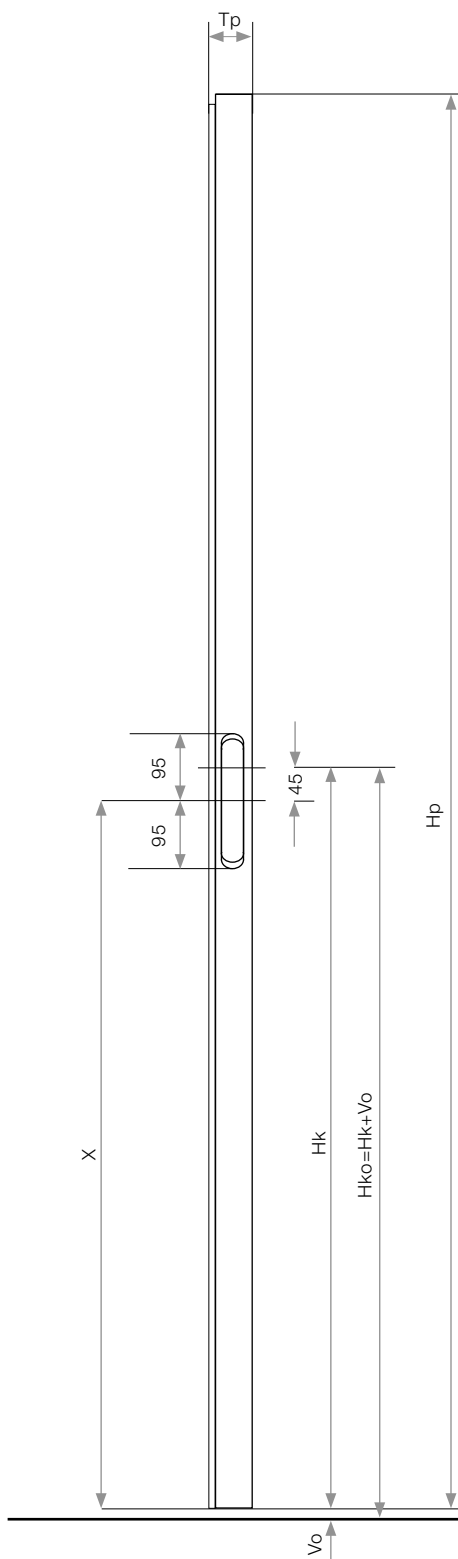
	Lock	Y: □8mm	E
🔑	XA-D70BB.CS	90(standard)	50
🔑	XA-D73WC.CS	95(in option)	50
🔑	XA-D78PZ.CS	85(in option)	50

Standard $V_o = 3$ mm
For standard door panels/country

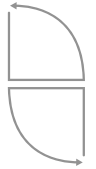
System X40T/X45T and $H_p \leq 2050$
 $X = H_p / 2$

Other Systems or $H_p > 2050$ mm
 $X = 1007,5$ mm

$H_k = X + 45$ mm (height handle on door)
 $H_{ko} = H_k + V_o$ (height floor-height handle)



DIN LOCK FOR DOOR PANELS EU RIGHT

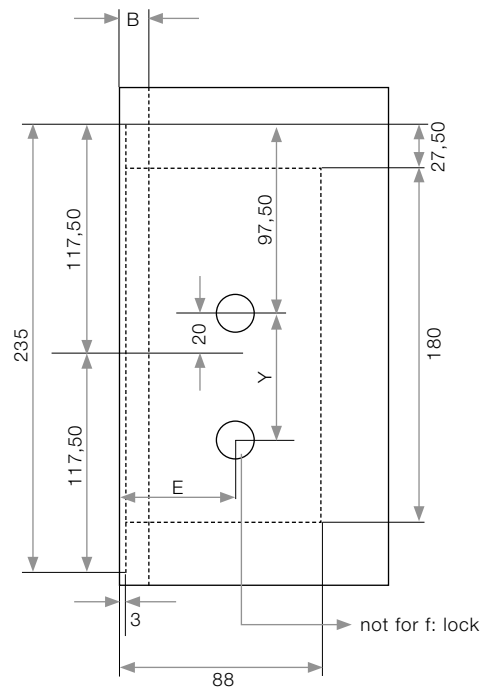
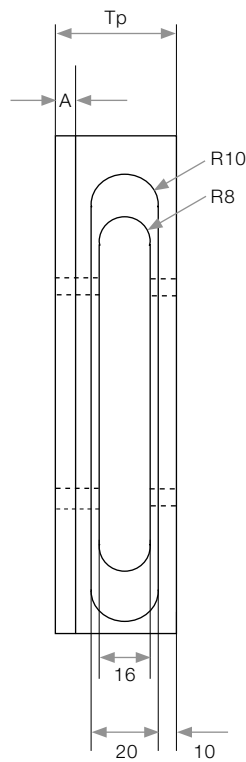
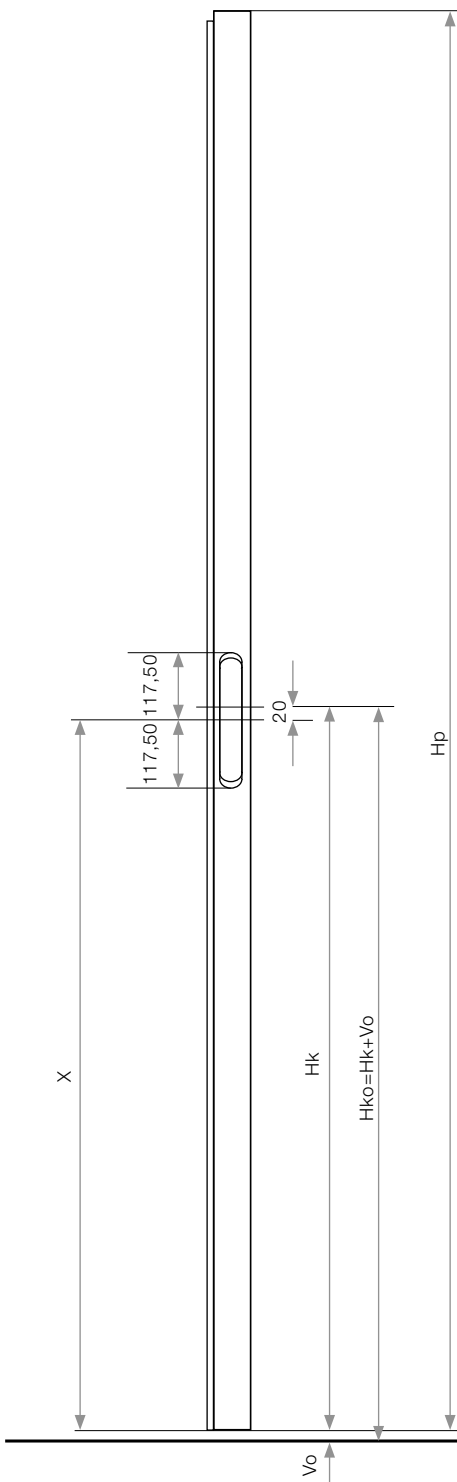


Standard $V_o=3\text{mm}$
Standard $X=1030\text{mm}$

$H_k=X+20\text{mm}$ (height handle on door)
 $H_{ko}=H_k+V_o$ (height floor-height handle)

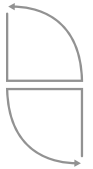
K F V		DIN lock	Y: □ 8mm	E
	🔑	F	-	55
	🔑	BB	72	55
	🔑	WC	78	55
	🔑	PZ	72	55

X I N N I X		DIN lock	Y: □ 8mm	E
	🔑	R15	72	55
	🔑	R17	78	55
	🔑	R19	72	55
	🔑	R35	72	55
	🔑	R37	78	55
	🔑	R59	72	55



U79: anti panic lock, same milling as R59!

NZ XINNIX **LOCK** FOR DOOR PANELS EU RIGHT



Standard $V_0=3\text{mm}$

For standard door panels/country

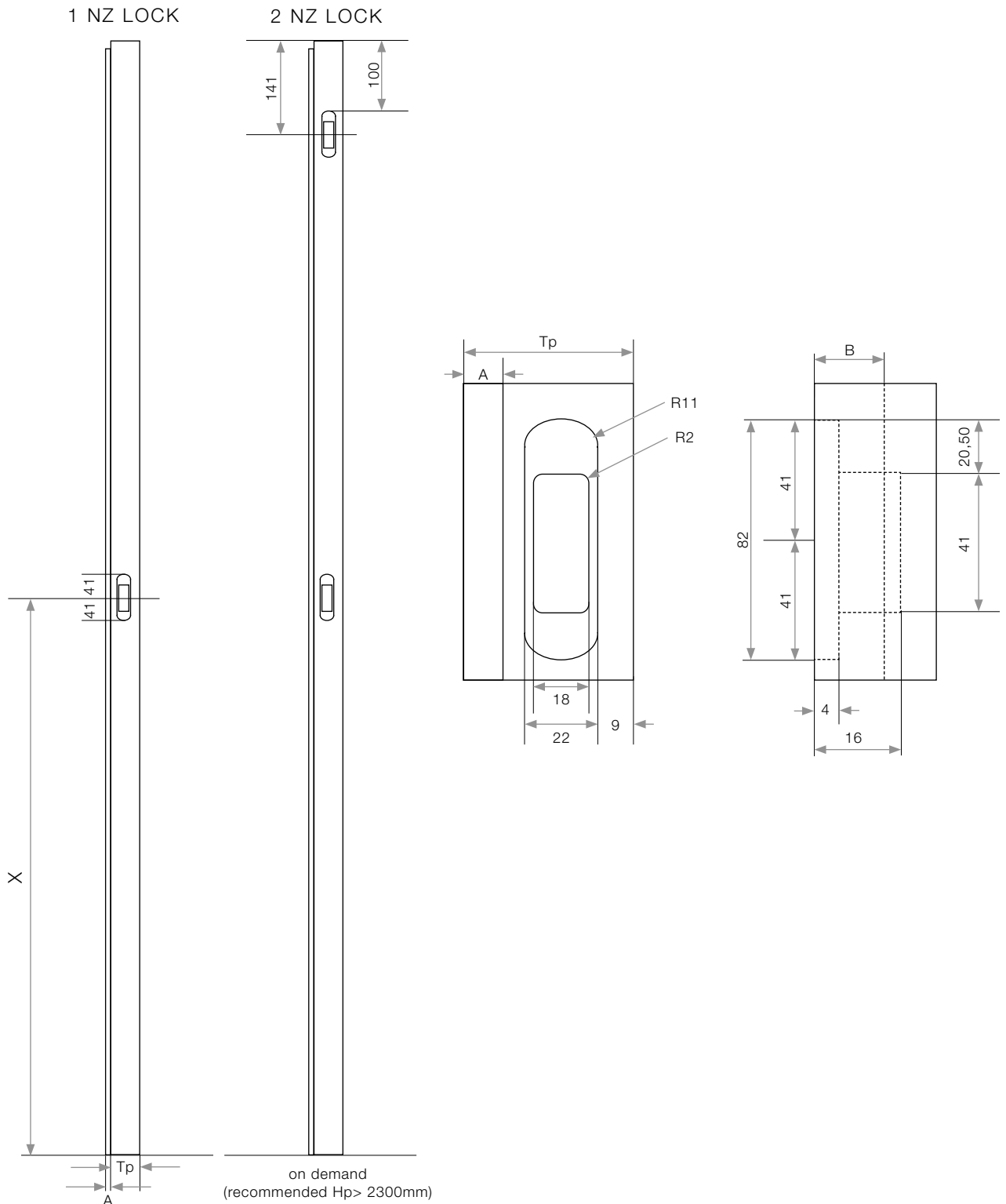
System X40T/X45T and $H_p \leq 2050\text{mm}$

$X=H_p/2$

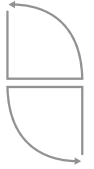
Other systems or $H_p > 2050\text{mm}$

$X=1007,5$

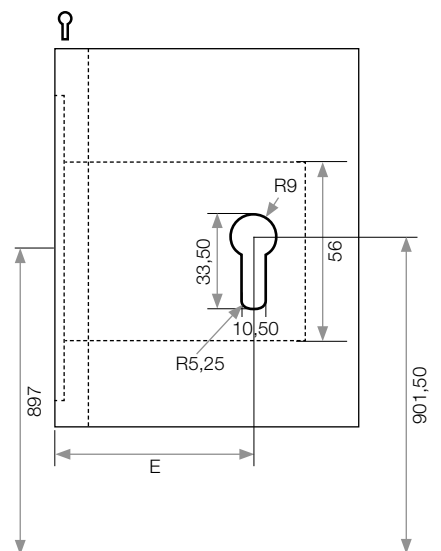
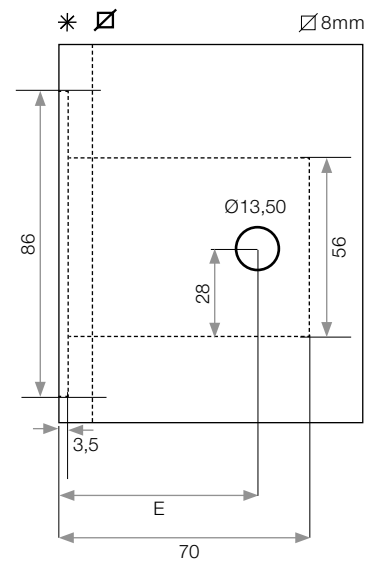
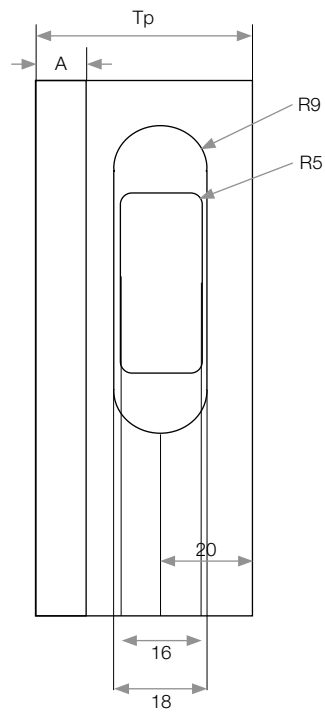
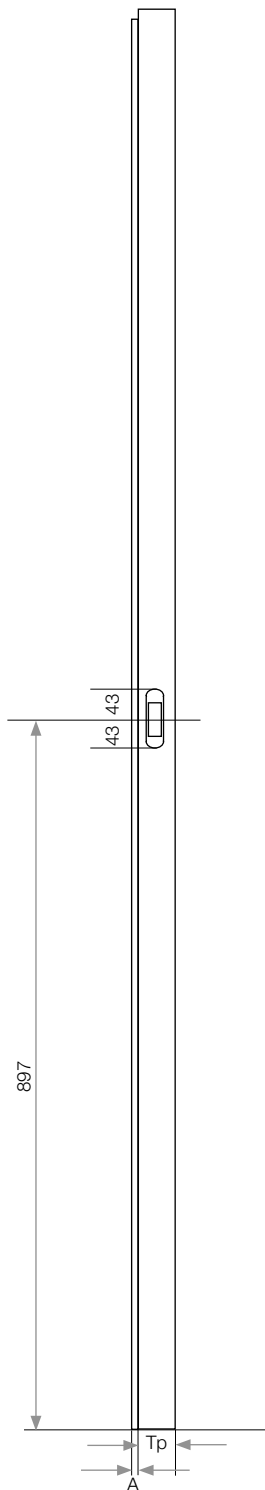
Lock	Color
XA-NZ.W	White
XA-NZ.G	Grey
XA-NZ.B	Black



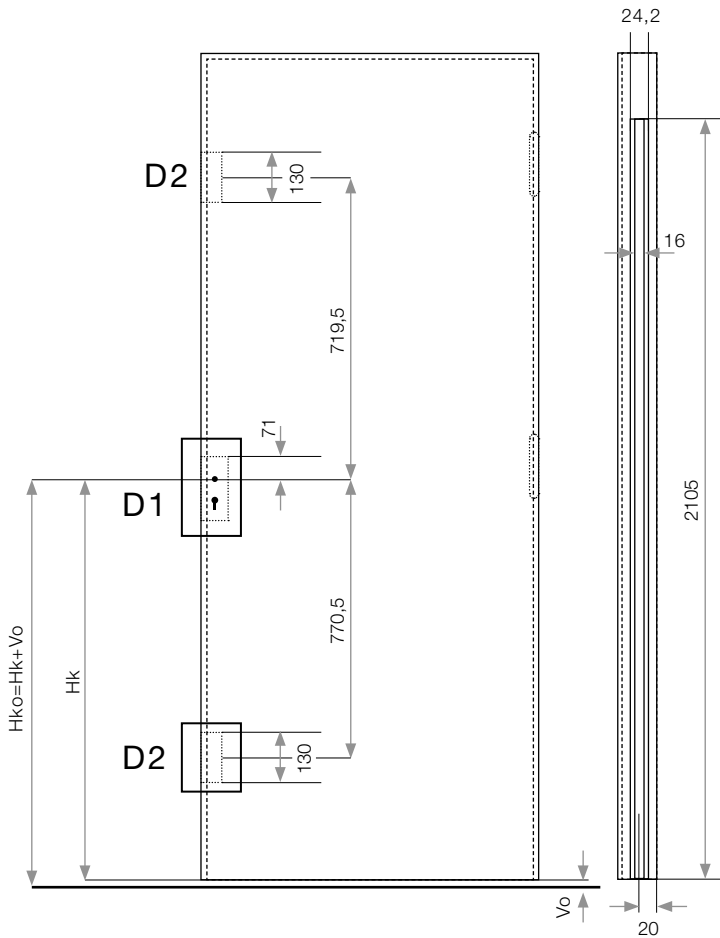
ADDITIONAL **LOCK** G5..



	Lock	E
*	XA-G525	50
∅	XA-G526	50
🔑	XA-G527	50



3 POINT **LOCK** WINKHAUS DOOR PANEL EU RIGHT



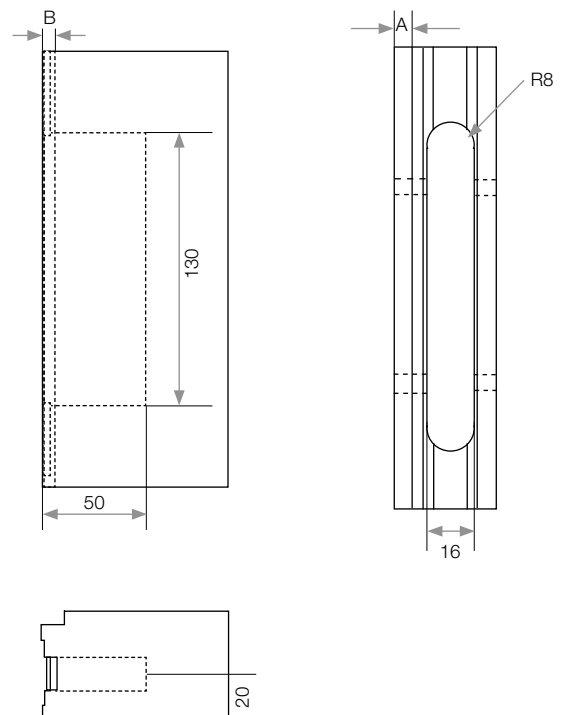
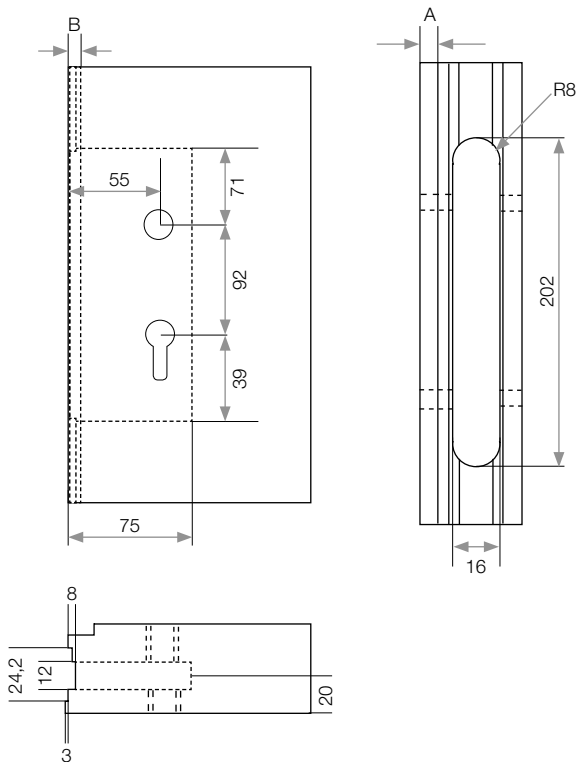
SEC LOCK 1

3 Point Lock Winkhaus
art.nr. 2925390

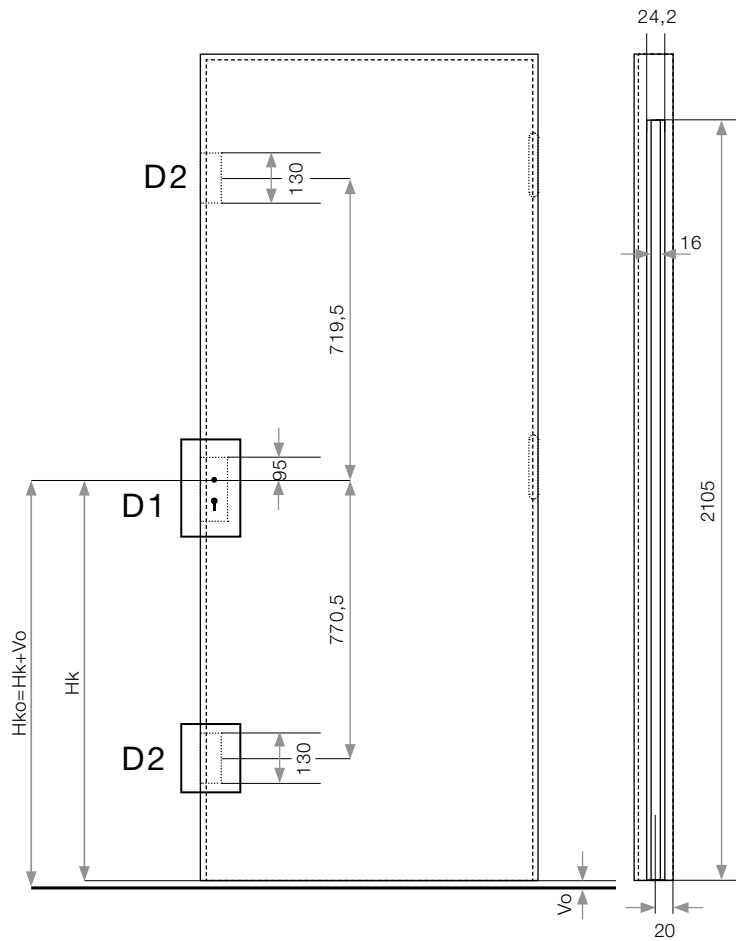
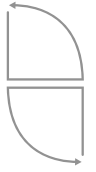
- Standard $V_o = 3\text{mm}$
- Standard $H_k = 1050\text{mm}$ (Height handle on door)
- Standard $H_{ko} = 1053\text{mm}$ (Height floor - Height handle)

D1

D2



3 POINT **LOCK** WINKHAUS DOOR PANEL EU RIGHT



SEC LOCK 2

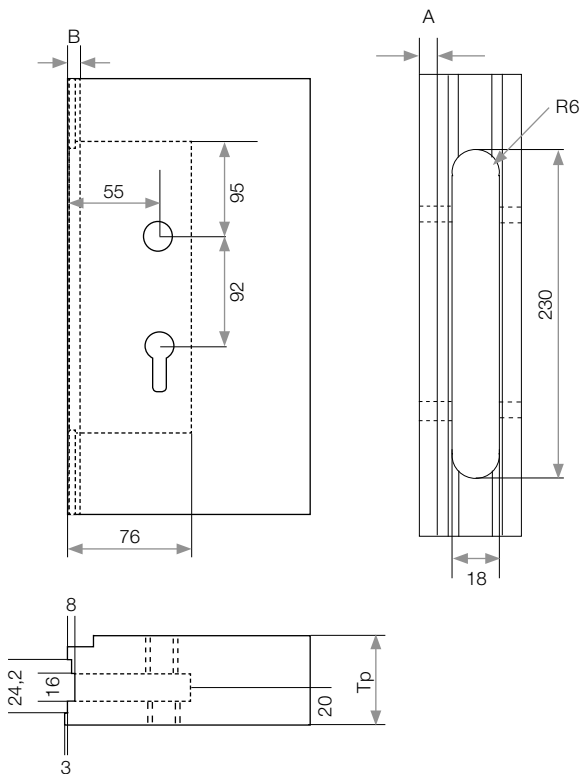
3 Point Lock Winkhaus

Standard $V_o = 3\text{mm}$

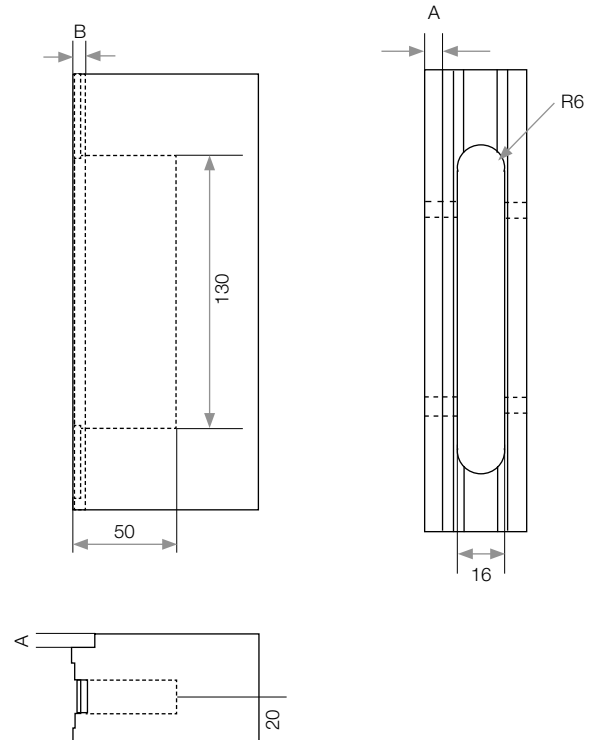
Standard $H_k = 1050\text{mm}$ (Height handle on door)

Standard $H_{ko} = 1053\text{mm}$ (Height floor - Height handle)

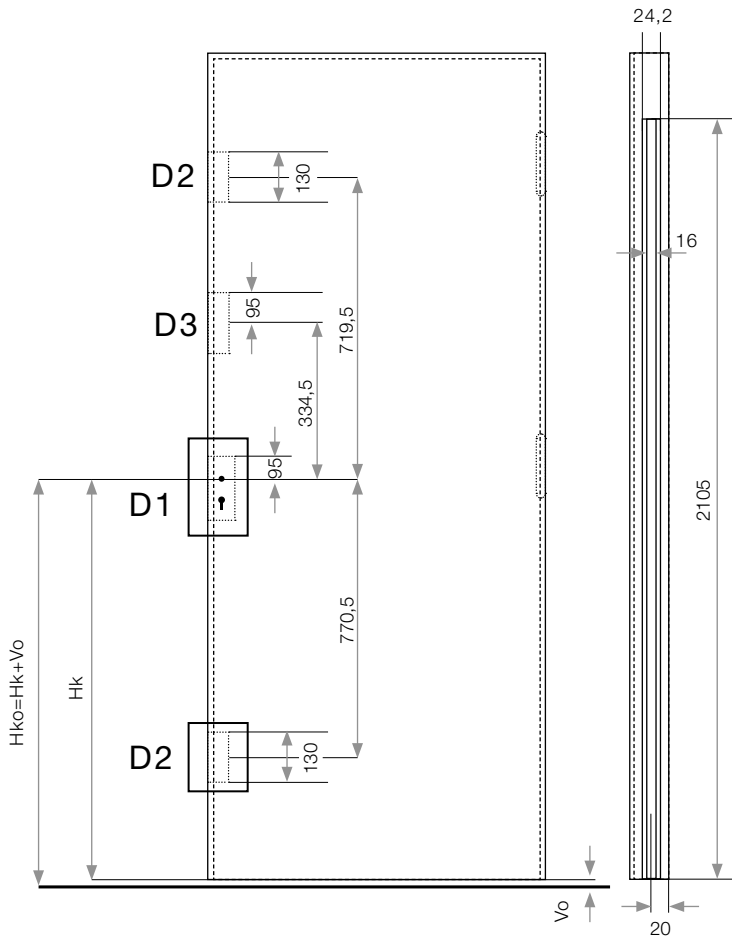
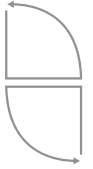
D1



D2



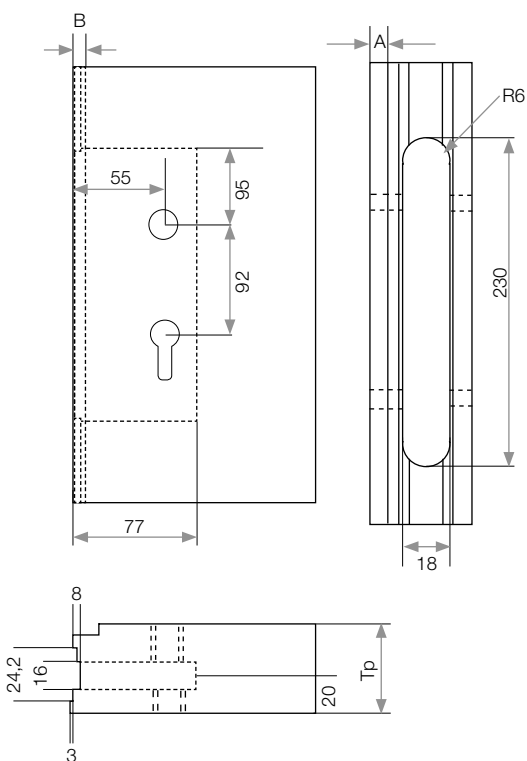
3 POINT **LOCK** WINKHAUS DOOR PANEL EU RIGHT



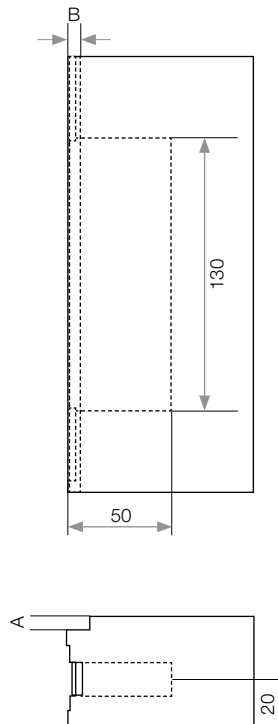
SEC LOCK 3 3 Point Lock Winkhaus

Standard $V_o = 3\text{mm}$
 Standard $H_k = 1050\text{mm}$ (Height handle on door)
 Standard $H_{ko} = 1053\text{mm}$ (Height floor - Height handle)

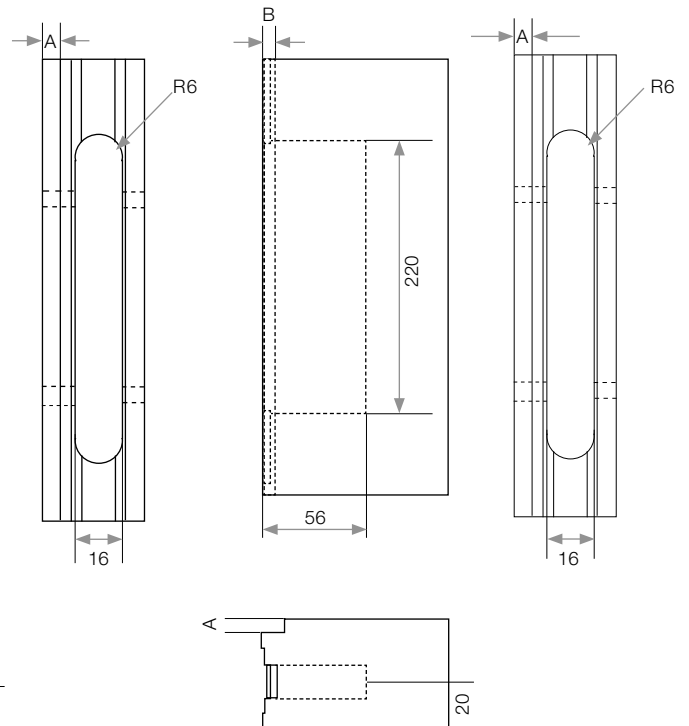
D1



D2

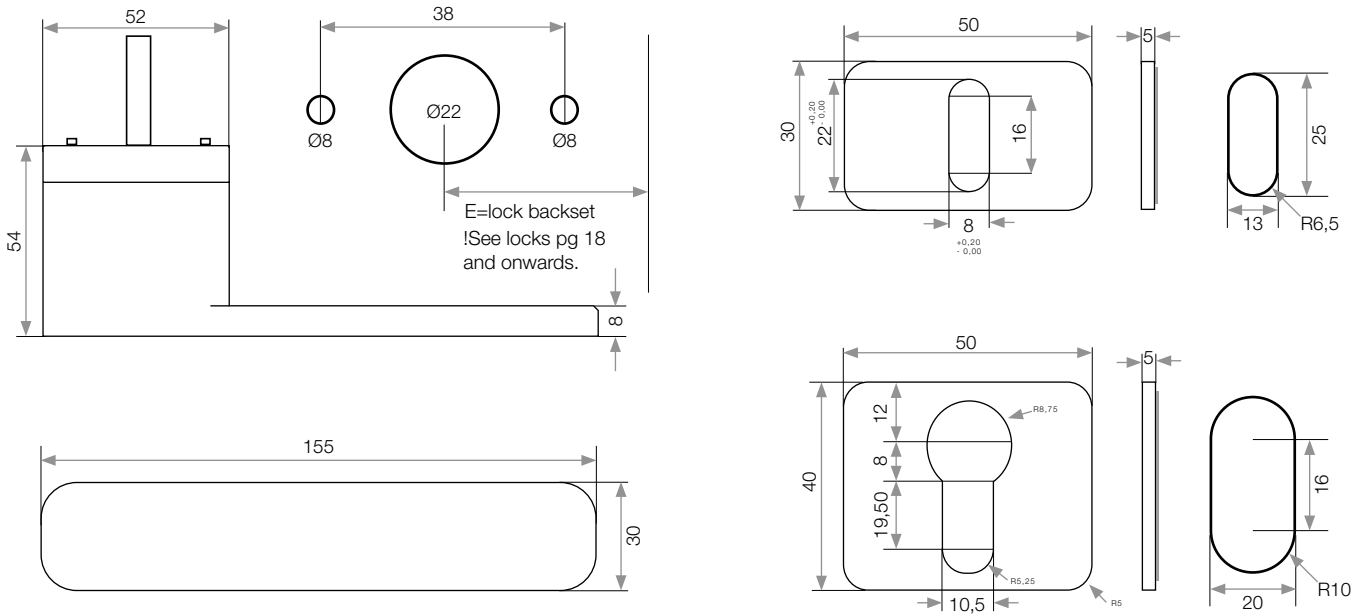


D3

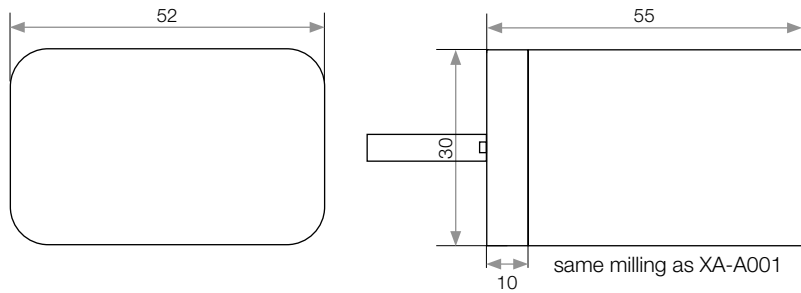


SERIE A001

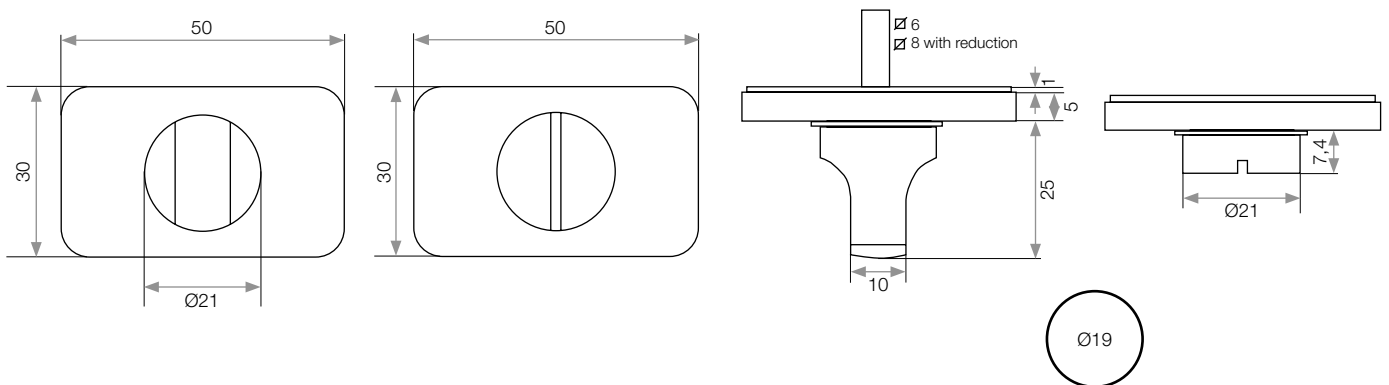
DOOR HANDLE XA-A001



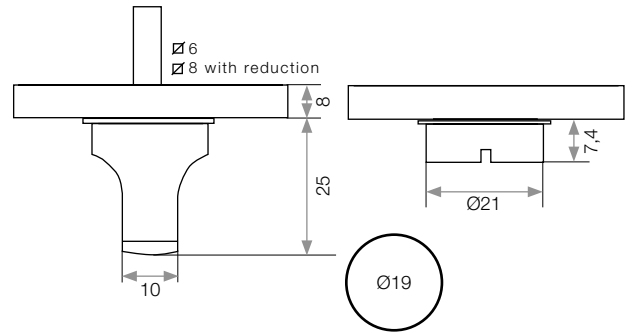
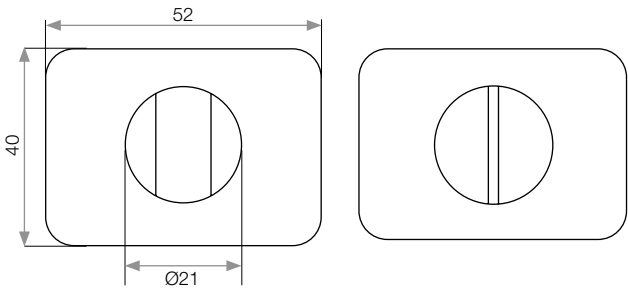
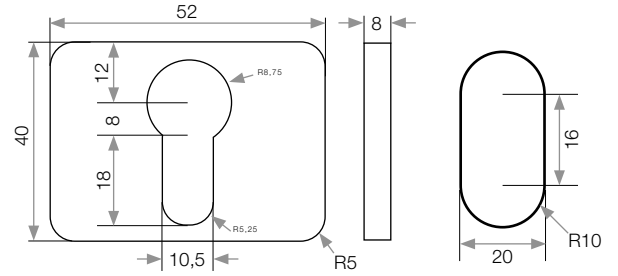
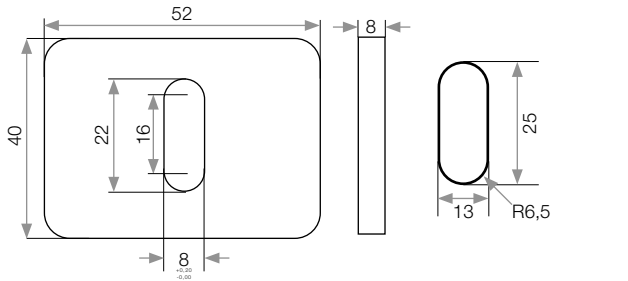
KNOB XA-AK001



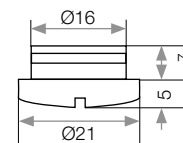
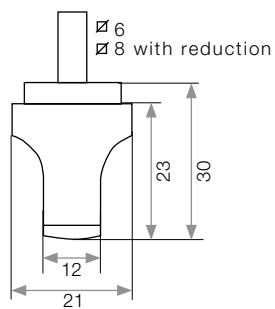
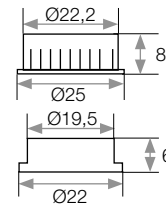
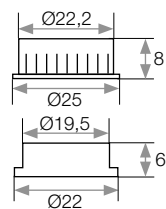
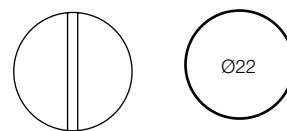
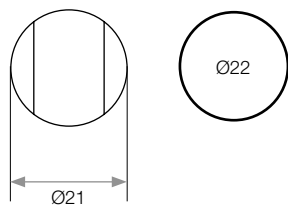
BATHROOM SNIB XA-A001.WC



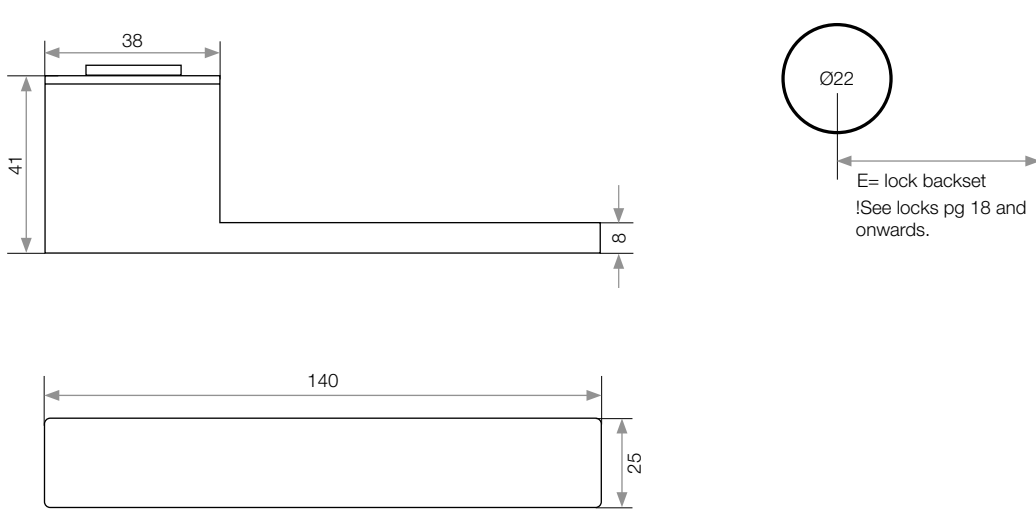
ACCESSORIES XA-A101



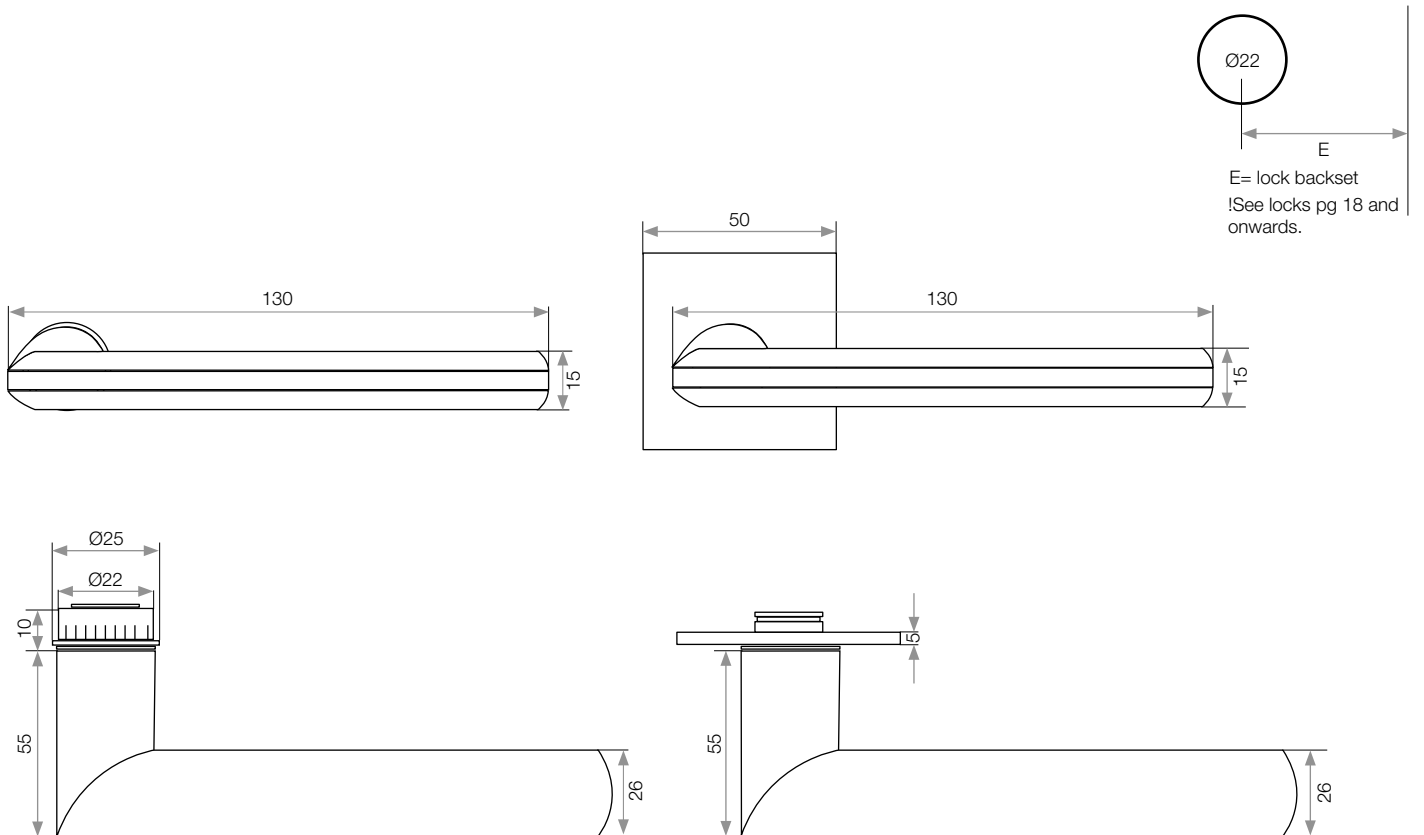
XA-1500.WC



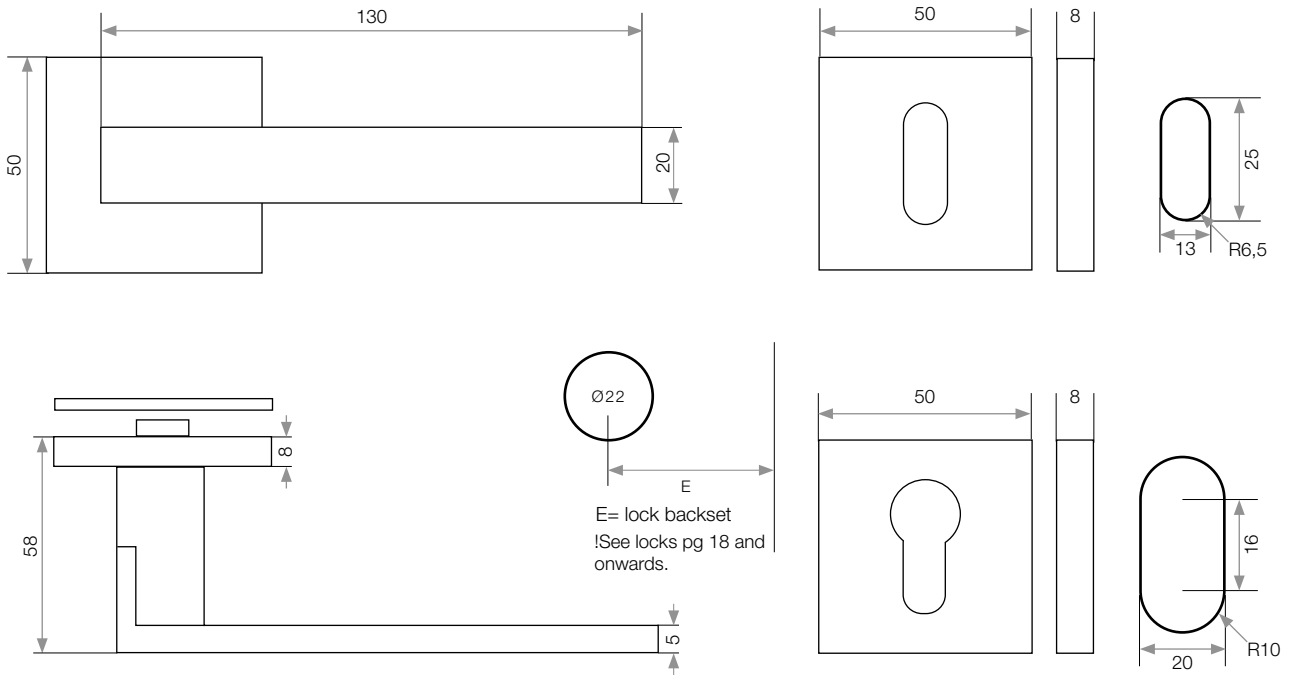
SERIE A003



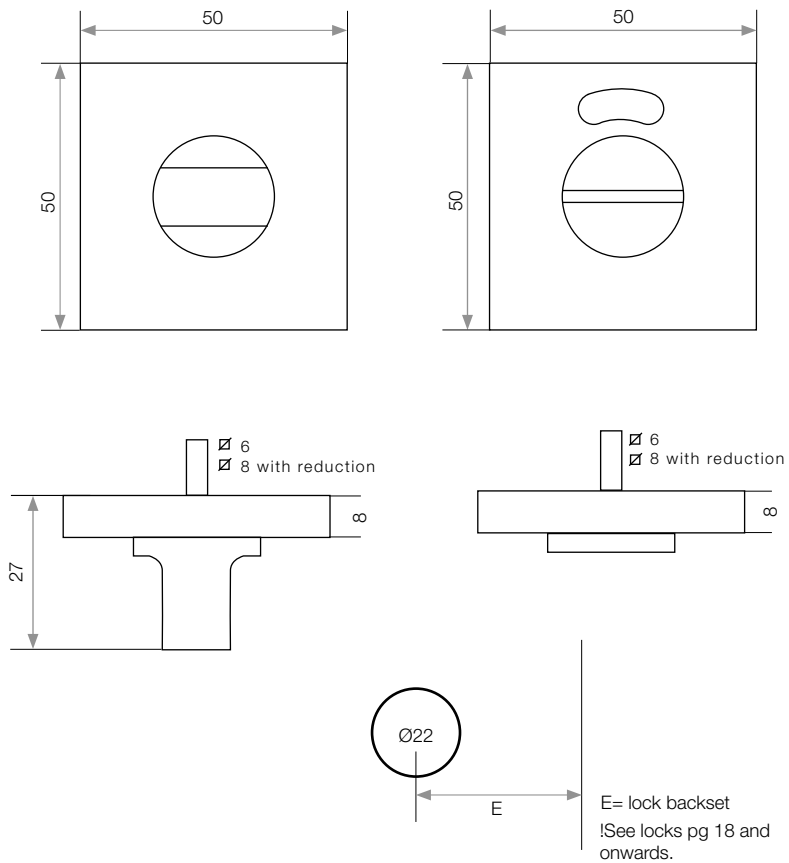
SERIE A004



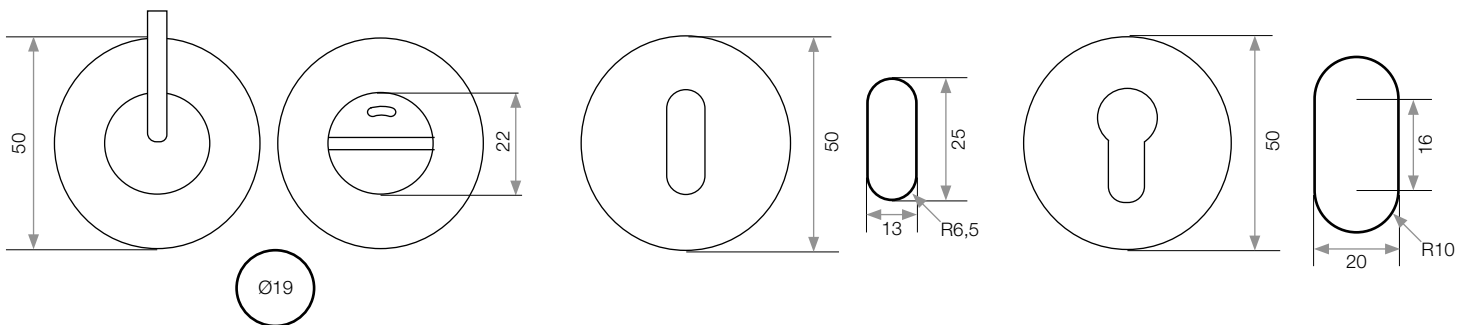
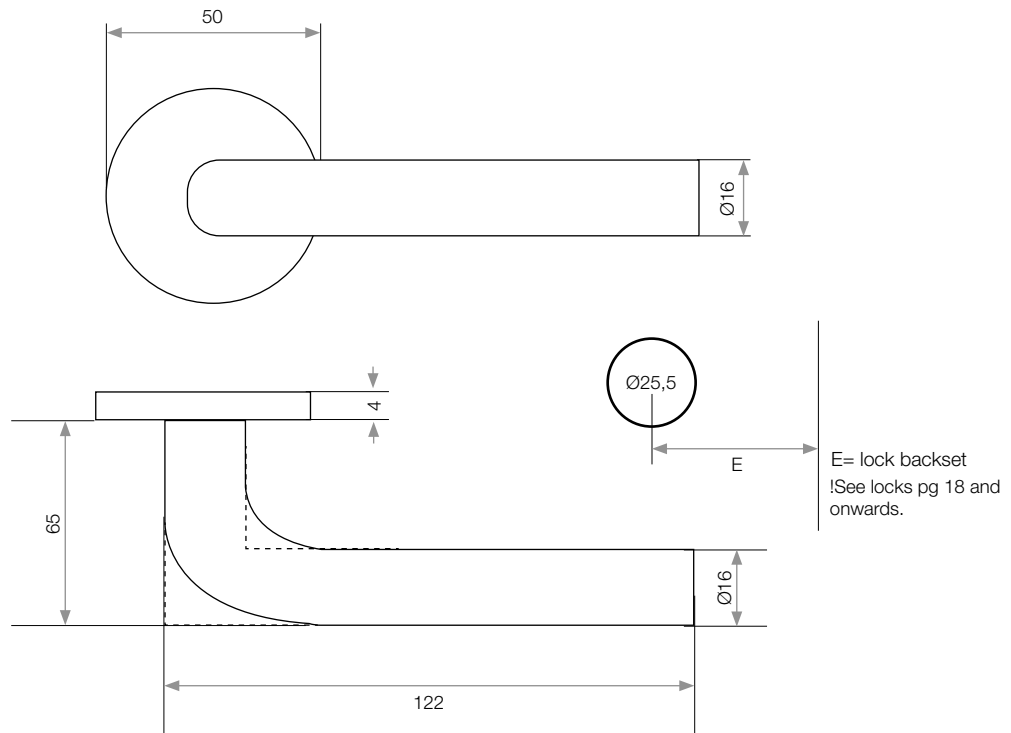
DOOR HANDLE XA-IT151



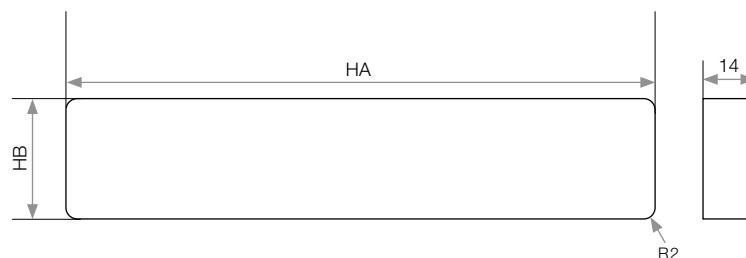
BATHROOM SNIB XA-IT002.WC



DOOR HANDLE XA-2016(L)



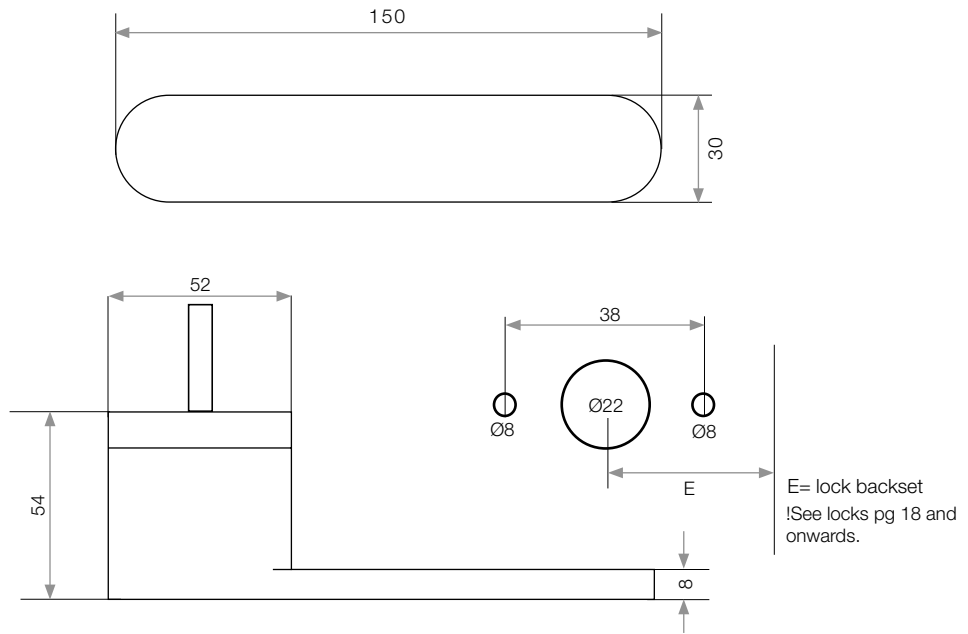
DOOR HANDLE XA-H160/XA-H180



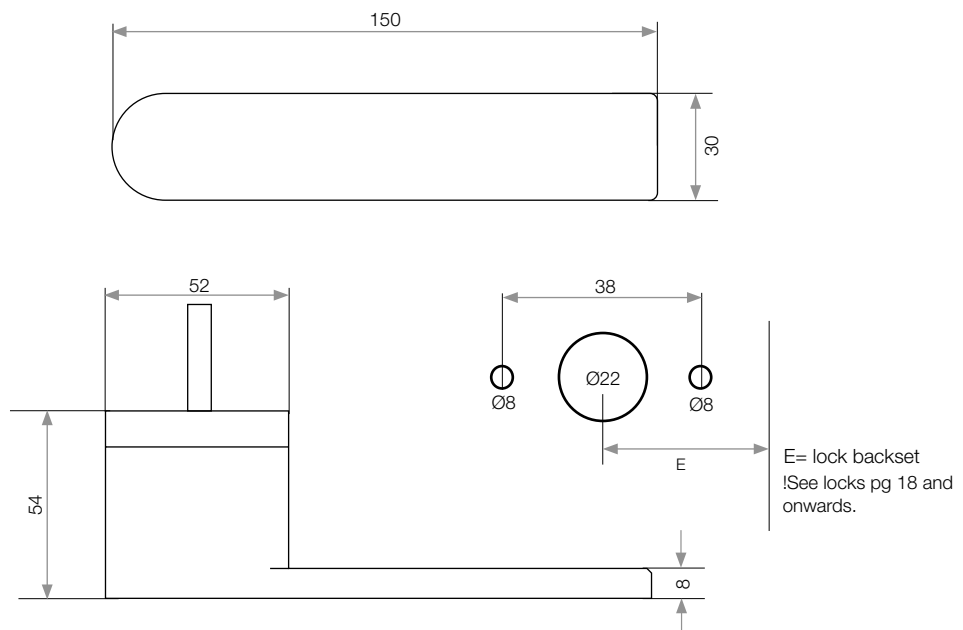
	HA	HB	
XA-H160.NS (metal look)	157	22	Vertical installation advised
XA-H160.W (white)			
XA-H160.B (black)			
XA-H180.NS (metal look)	177,5	42,5	Horizontal installation advised
XA-H180.W (white)			
XA-H180.B (black)			

In combination with Xinnix NZ Magnetic Roller lock (see page 18)

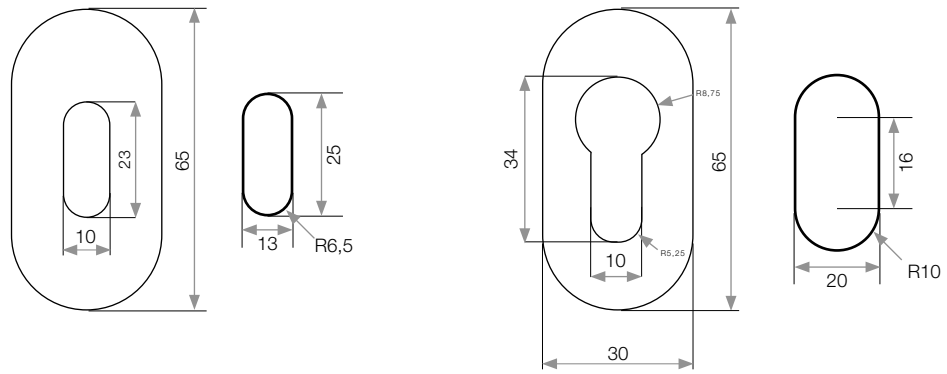
DOOR HANDLE XA-RF140



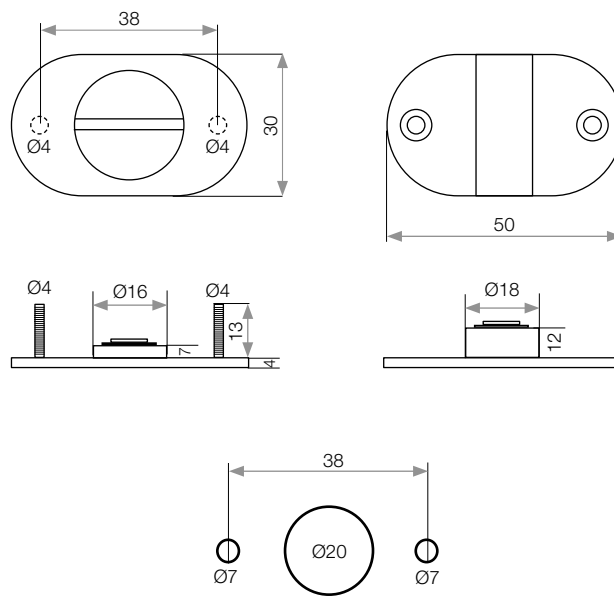
DOOR HANDLE XA-RF150



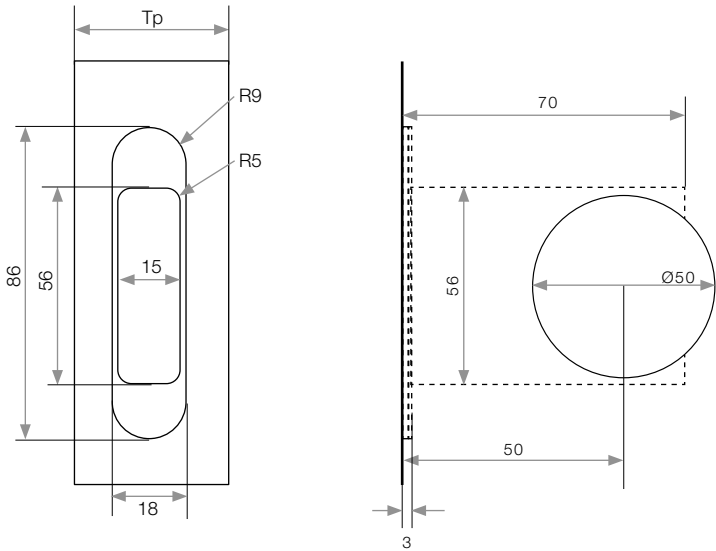
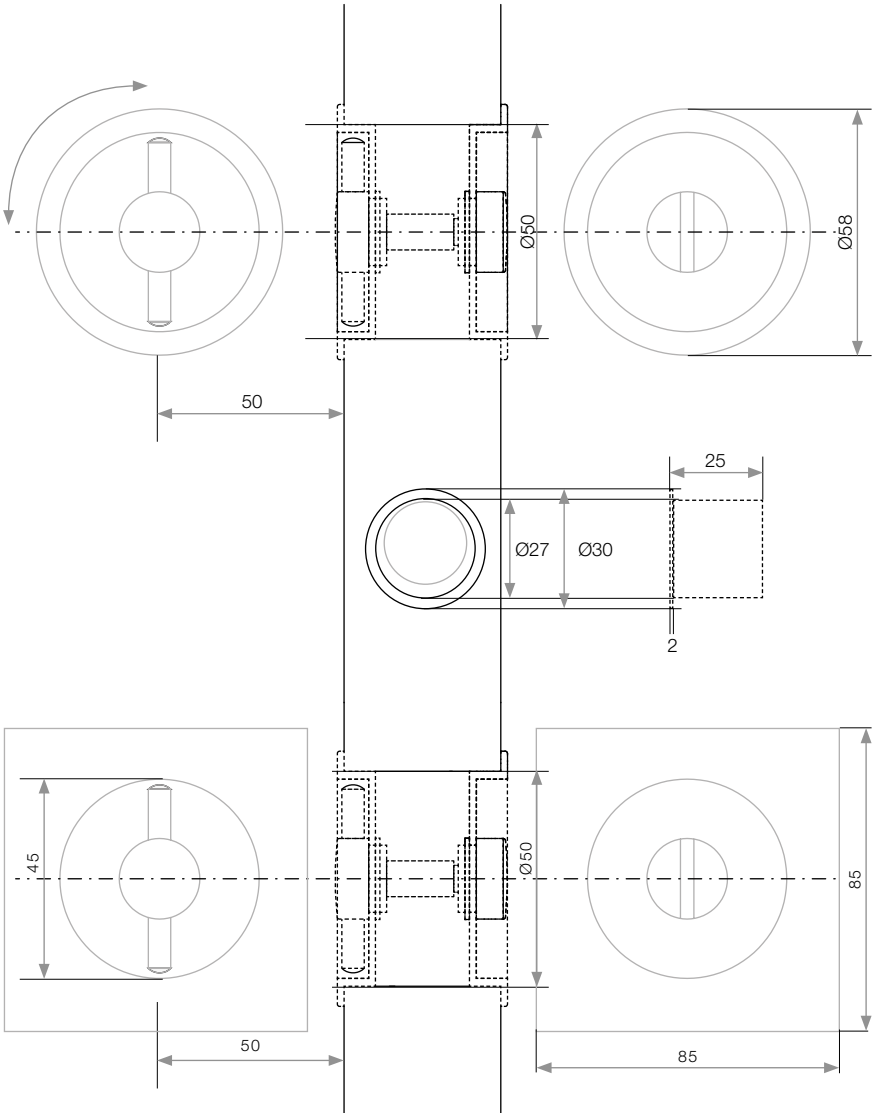
XA-004



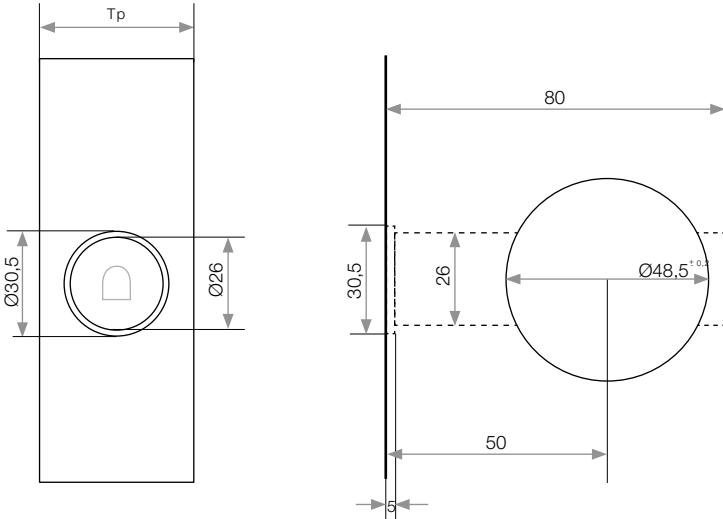
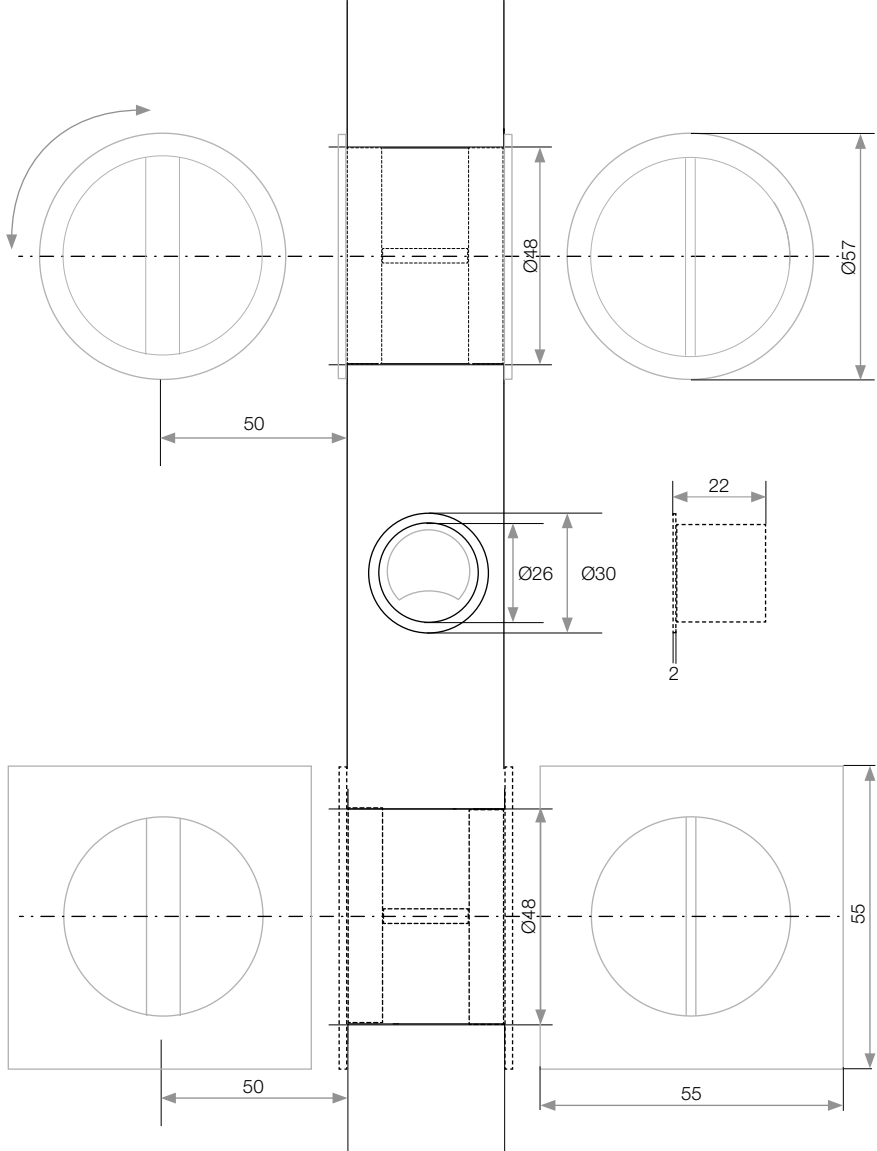
XA-RF.WC



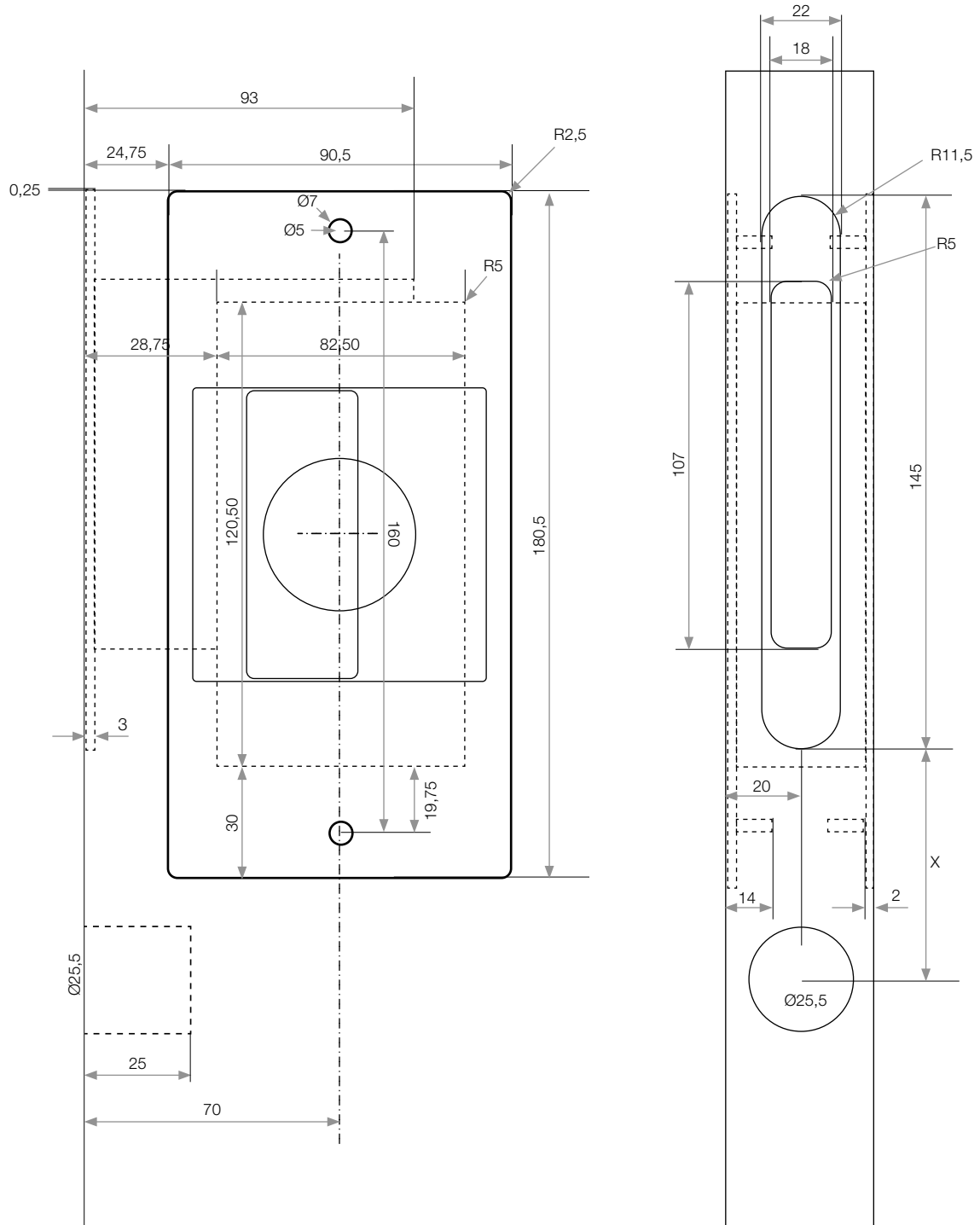
LOCK POCKET SLIDING DOOR XA-3100/XA-3300



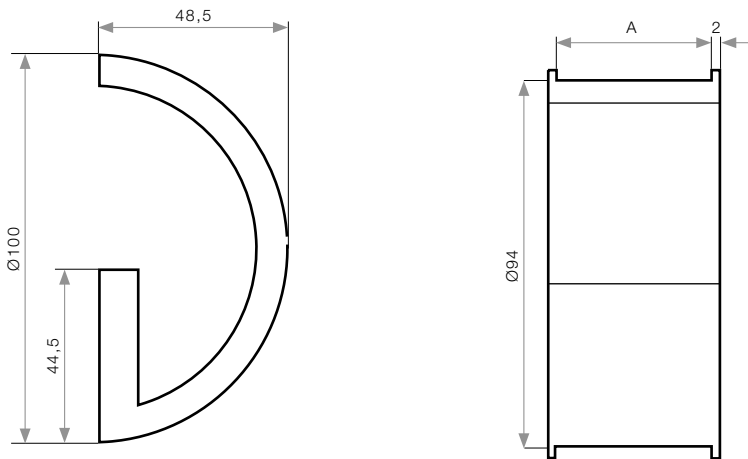
LOCK POCKET SLIDING DOOR XA-3101/XA-3301



LOCK POCKET SLIDING DOOR XA-3105

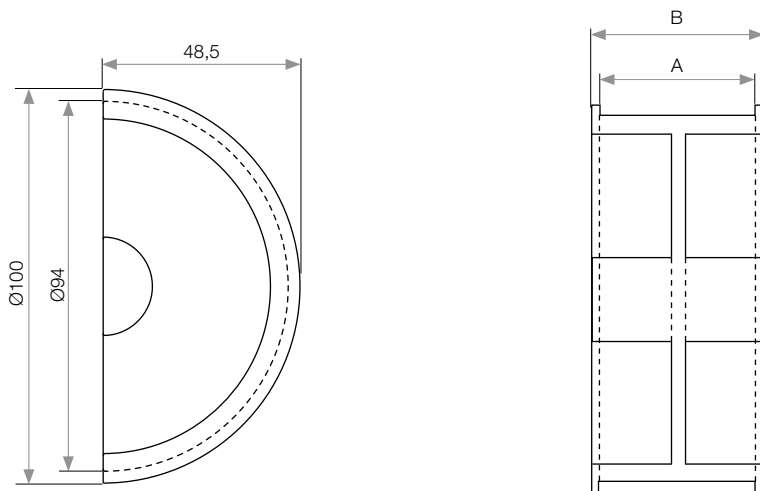


DOOR HANDLE FOR SLIDING DOOR X34...



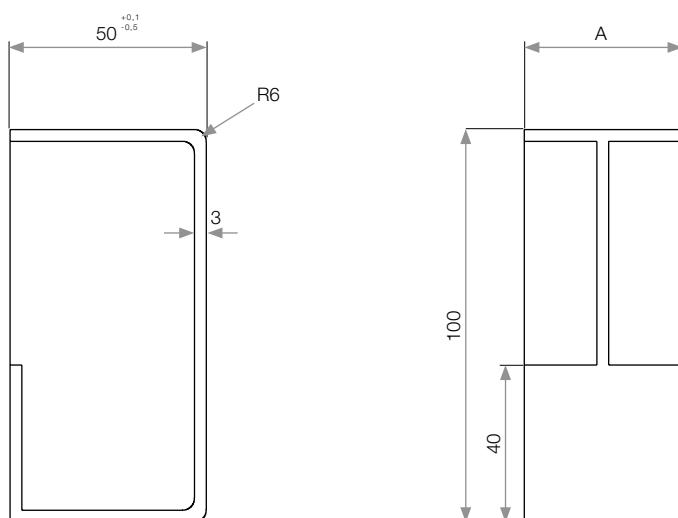
CODE	A
X3410	10
X3435	35
X3440	40
X3445	45
X3450	50

DOOR HANDLE FOR SLIDING DOOR X30...



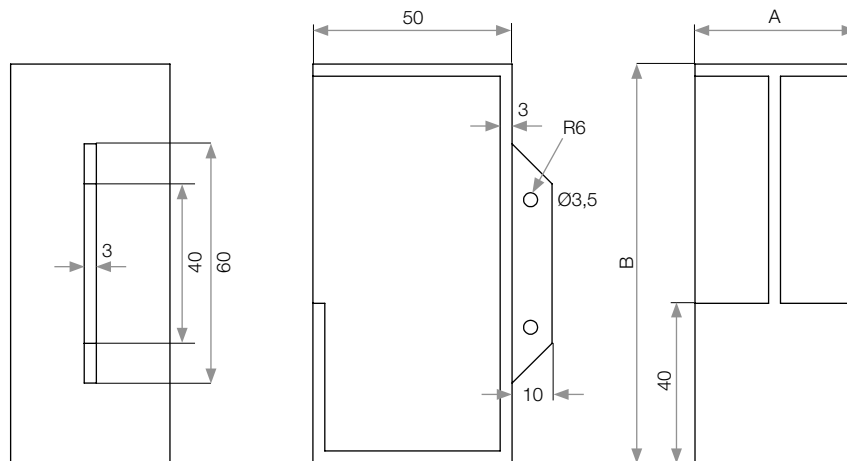
CODE	A	B
X3010	10	14
X3012	12	16
X3035	35	39
X3040	40	44
X3045	45	49
X3050	50	54
X3060	60	64

DOOR HANDLE FOR SLIDING DOOR X33...



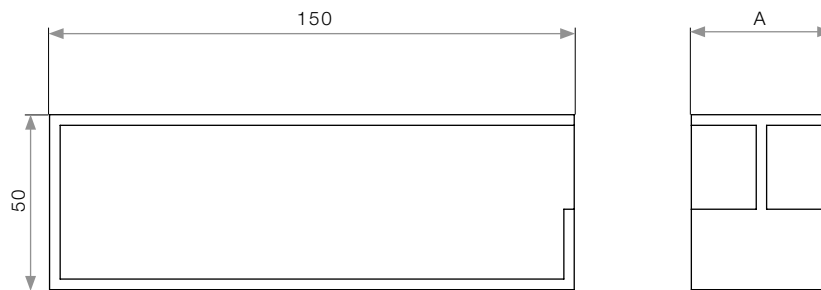
CODE	A
X3310	10
X3335	35
X3340	40
X3345	45
X3350	50

DOOR HANDLE FOR SLIDING DOOR X37...



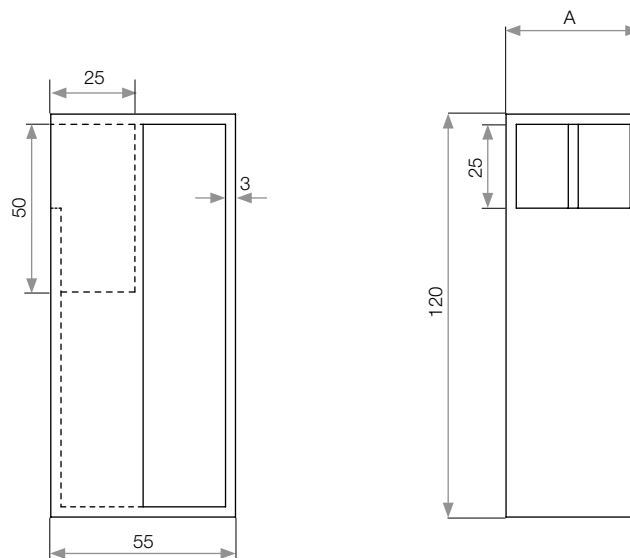
CODE	A	B
X3723	40	100
X3739	50	100
X3738	40	500

DOOR HANDLE FOR SLIDING DOOR X377...



CODE	A
X3772	40
X3778	50

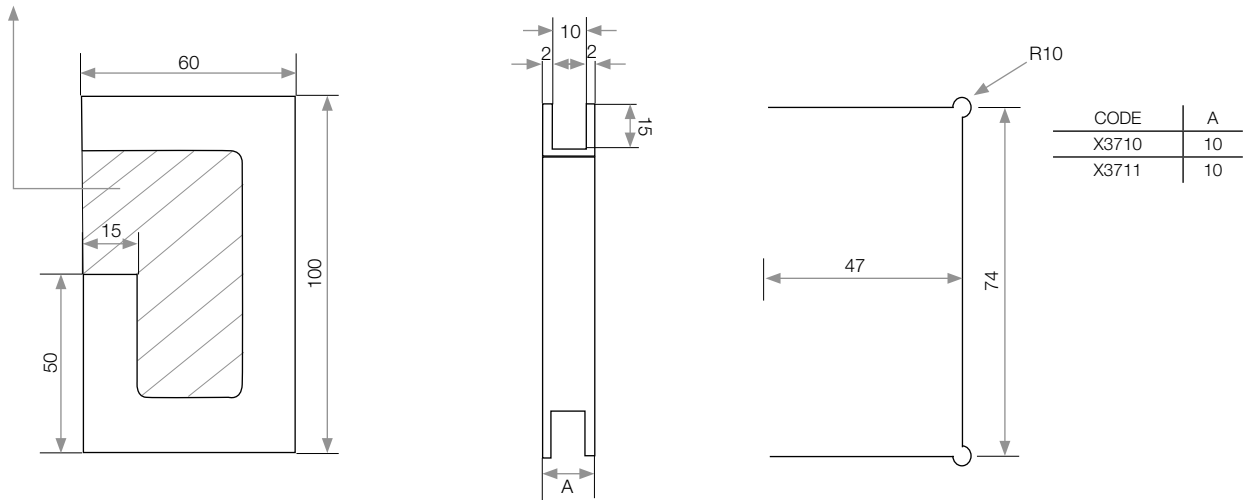
DOOR HANDLE FOR SLIDING DOOR X370...



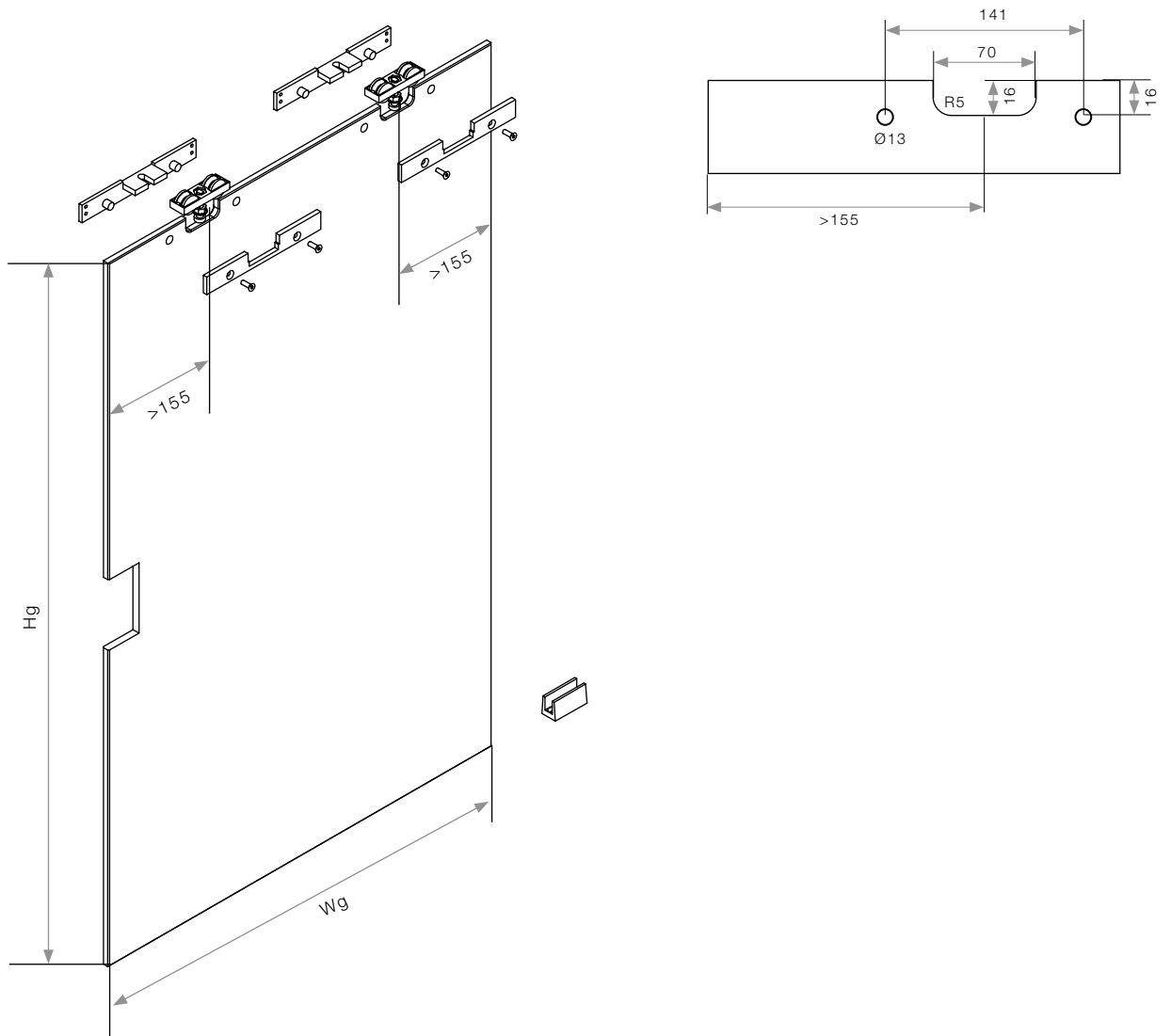
CODE	A
X3703	40
X3704	43
X3705	50

DOOR HANDLE FOR SLIDING DOOR X371...

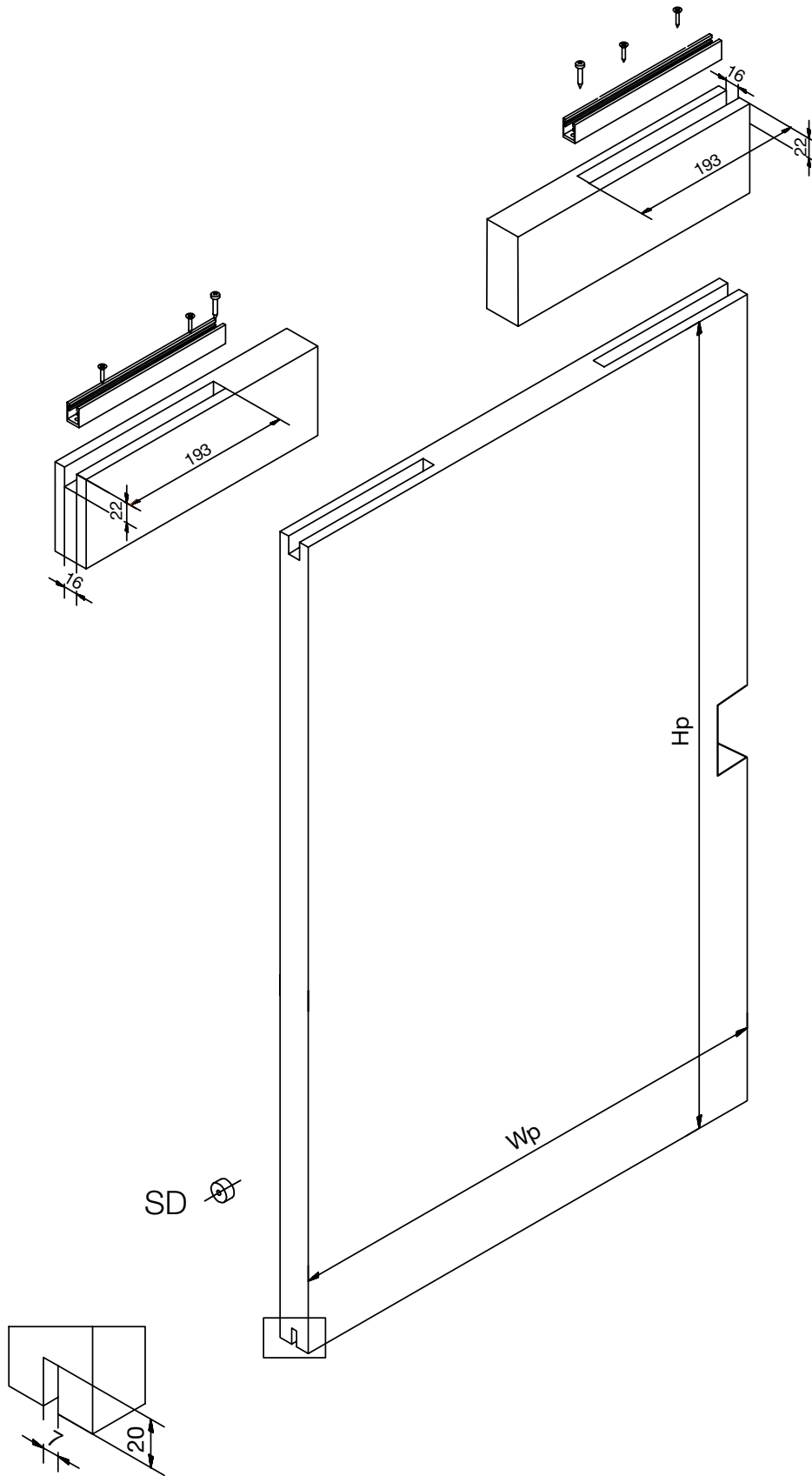
Available in an open(X3710) en closed(X3711) version.



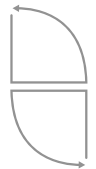
CLAMPS FOR GLASS X5100.GLC120



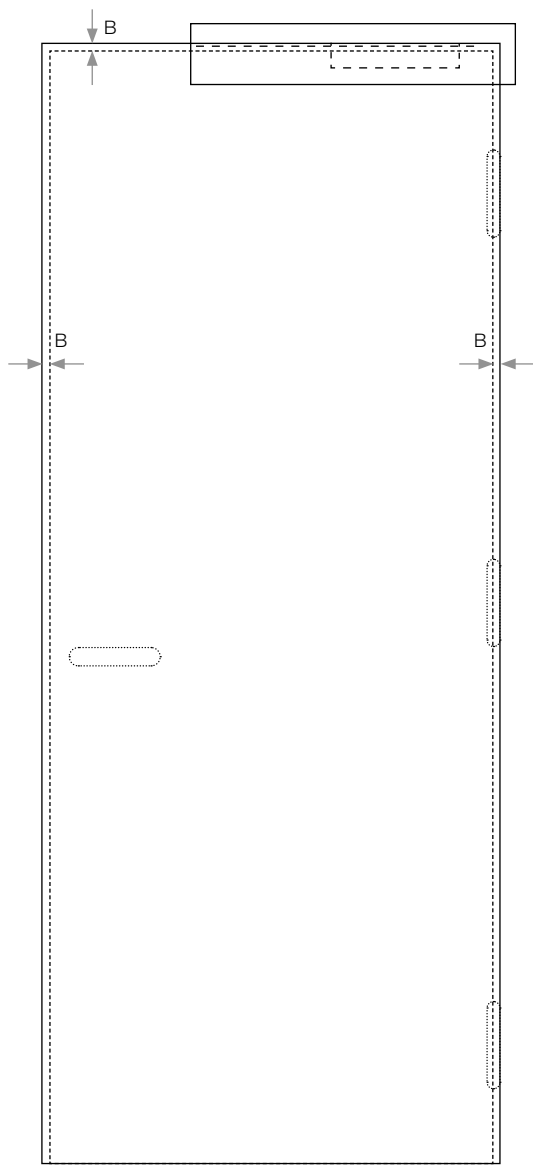
SLIDING DOOR - PURE



INTEGRATED DOOR CLOSER FOR DOOR PANEL EU RIGHT
 GEZE BOXER 2-4/ DORMA ITS 96 EN 2-4

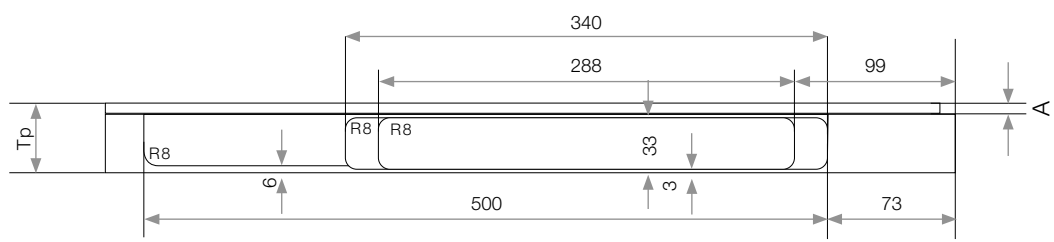
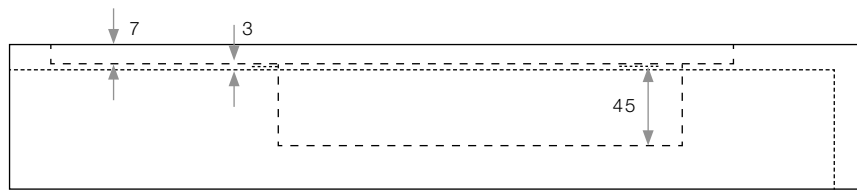


X1-X240-X245-X250



GEZE Boxer 2-4 STANDARD
 Boxer 12mm
 Mat.nr. 129213

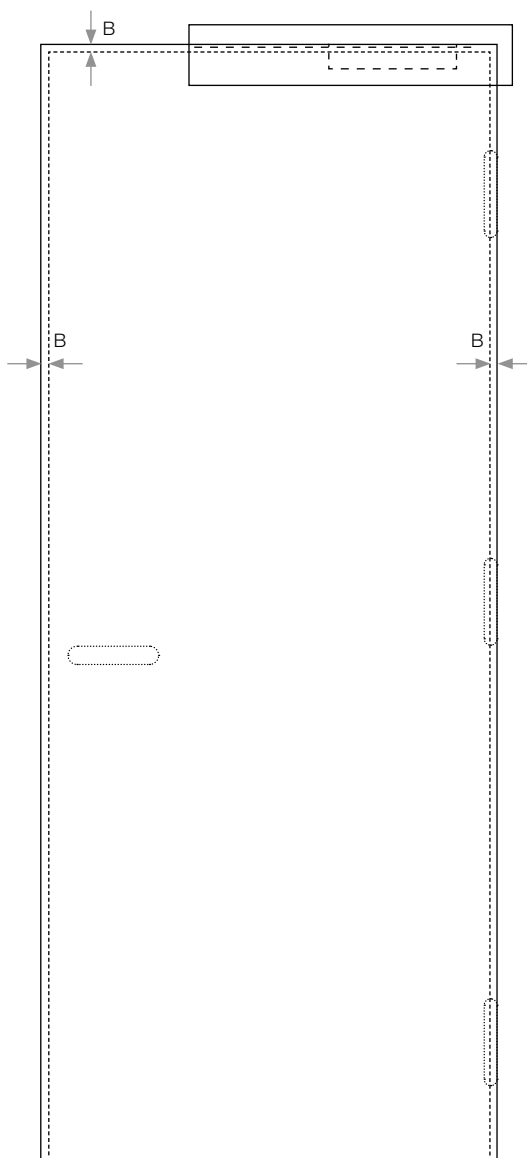
DORMA ITS 96 EN 2-4
 G 96 N20 K8/K12



INTEGRATED DOOR CLOSER FOR DOOR PANEL EU RIGHT
 GEZE BOXER 3-6/ DORMA ITS 96 EN 3-6

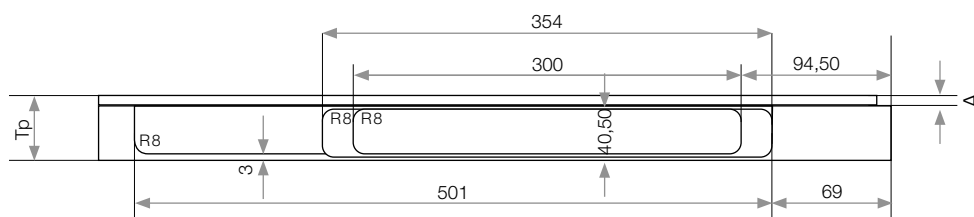
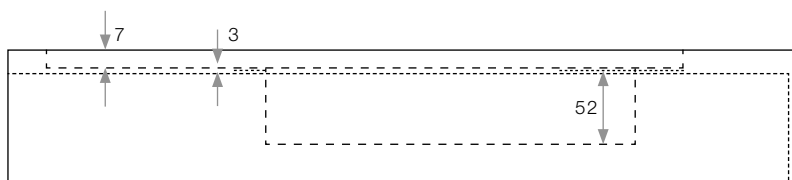


X250



GEZE Boxer 3-6 STANDARD
 Boxer 12mm
 Mat.nr. 129213

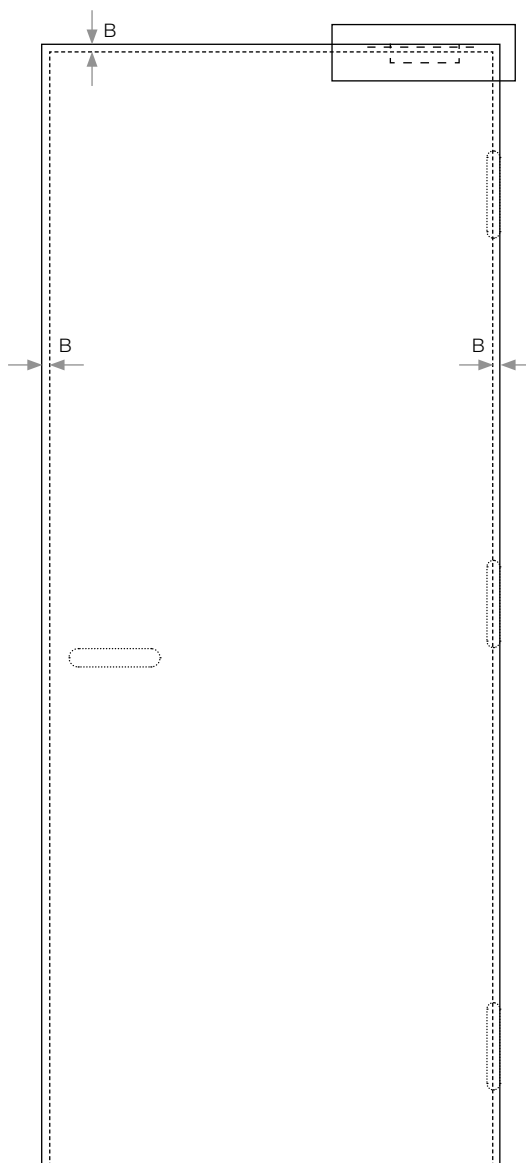
DORMA ITS 96 EN 3-6
 G 96 N20 K8/K12



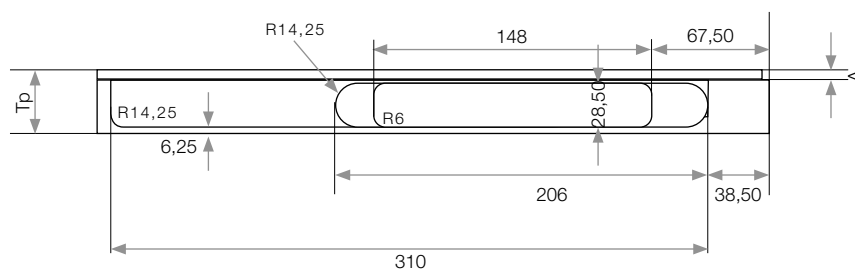
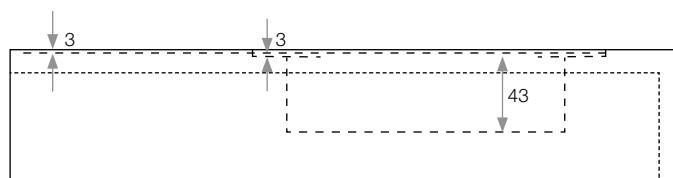
INTEGRATED DOOR CLOSER FOR DOOR PANEL EU RIGHT GEZE ACTIVE STOP



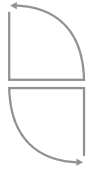
X1-X240-X245-X250



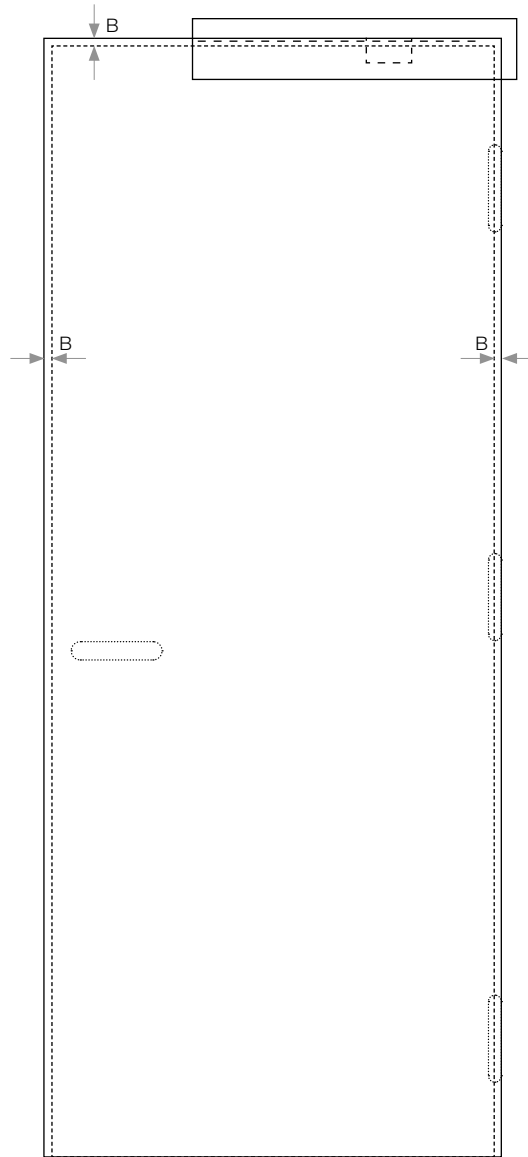
GEZE ACTIVE STOP
Max. Weight Door panel 40 kg



INTEGRATED DOOR CLOSER FOR DOOR PANEL EU RIGHT LIMIT STOP



X1-X240-X245-X250

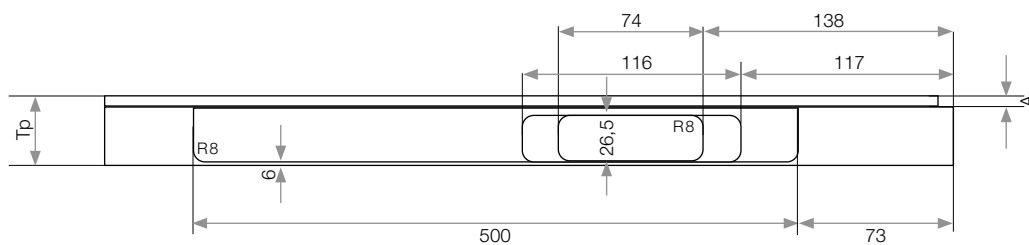
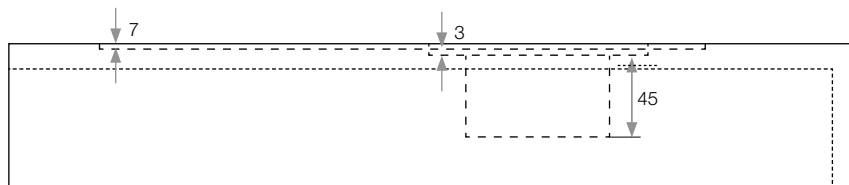


LIMIT STOP

Fits into milling:

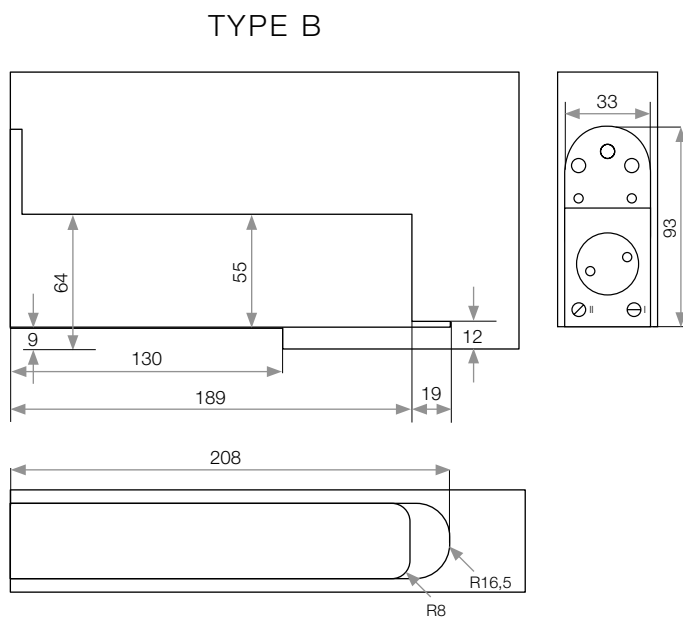
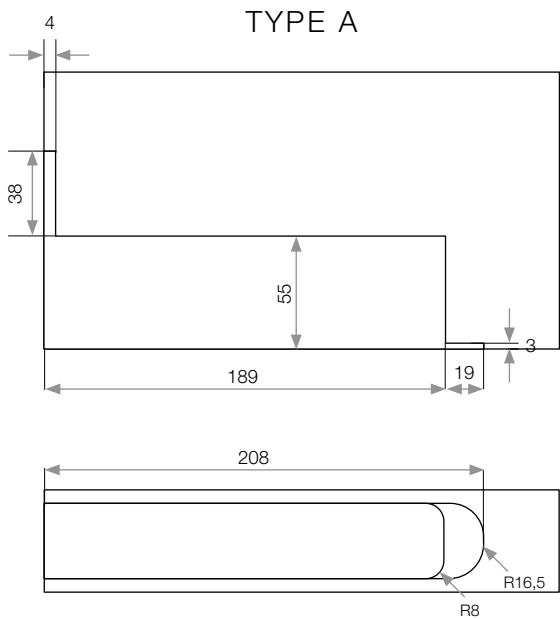
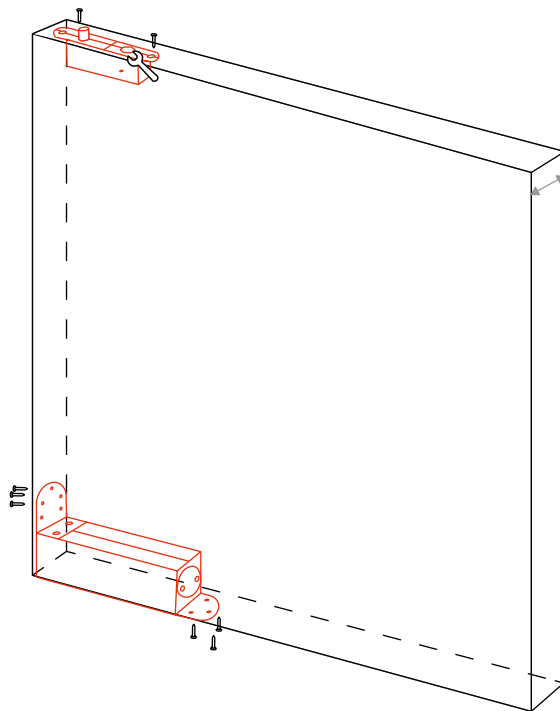
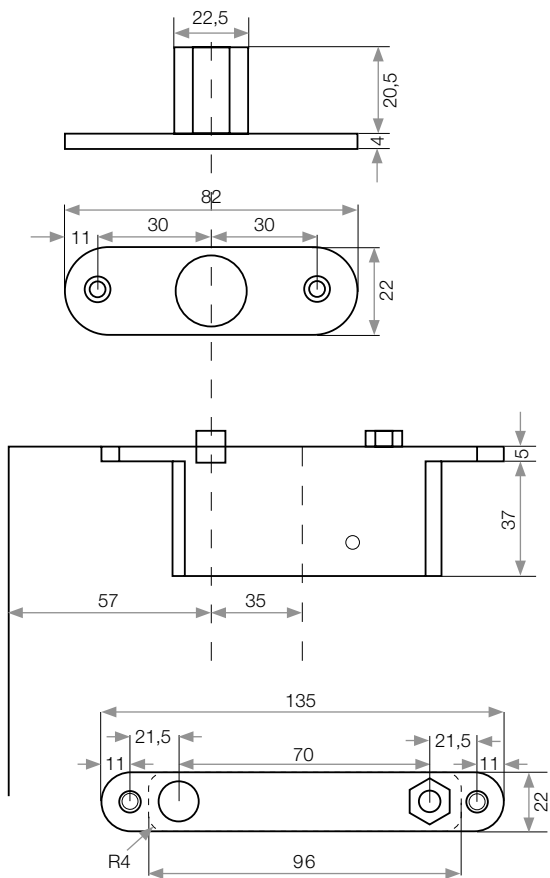
GEZE Boxer 2-4 STANDARD
Boxer 12mm

DORMA ITS 96 EN 2-4
G 96 N20 K8/K12

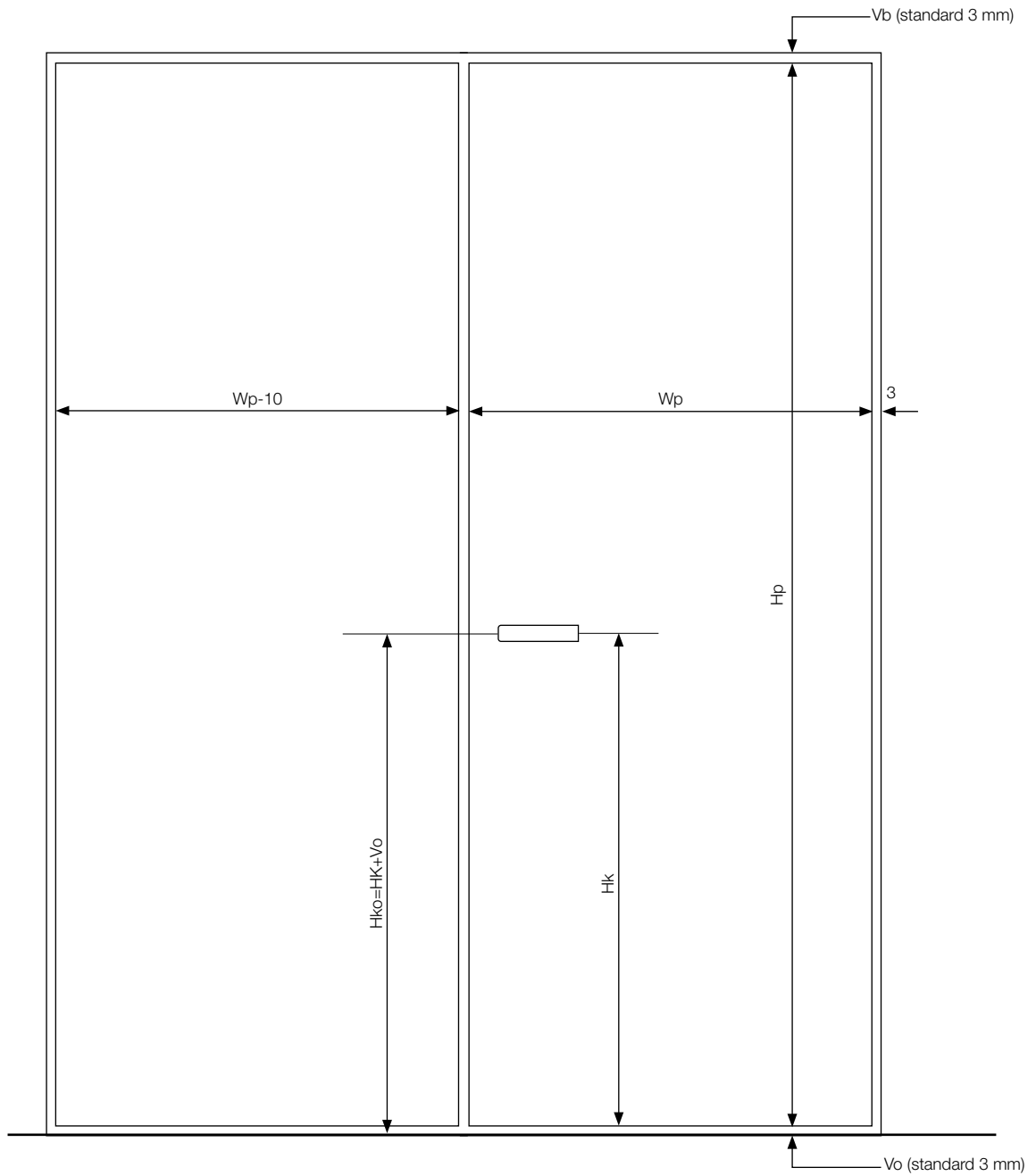


ACCESSORIES PIVOTING DOOR

XA-P300



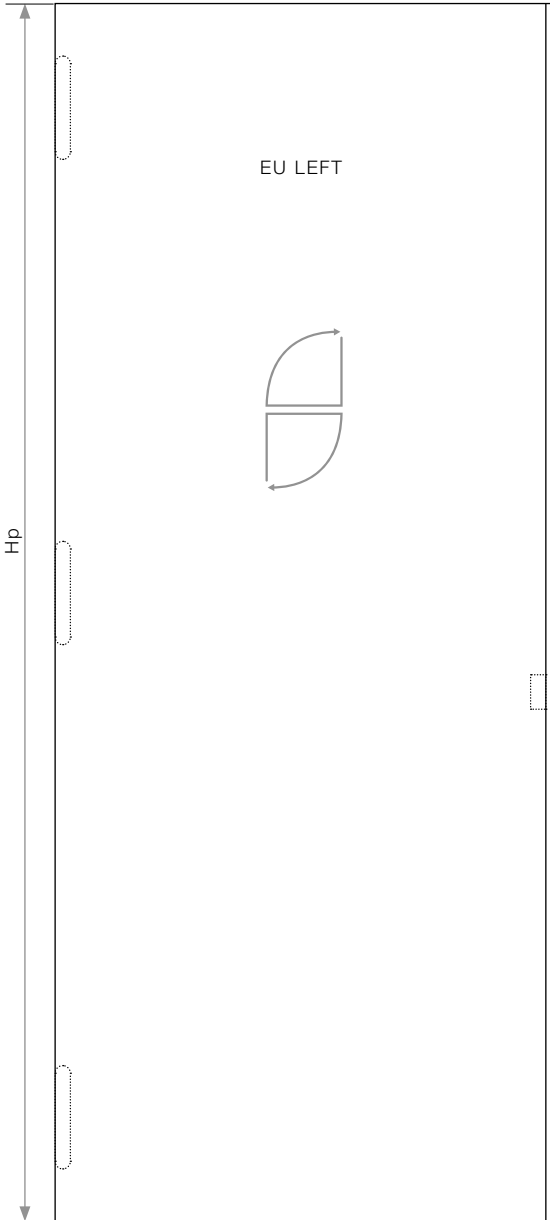
GENERAL VIEW DOUBLE DOOR EU



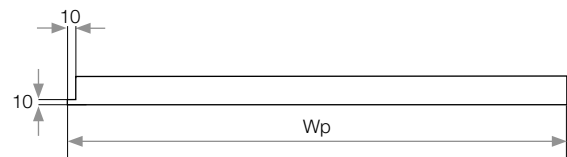
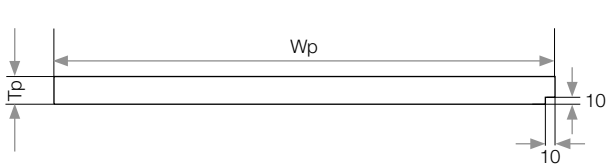
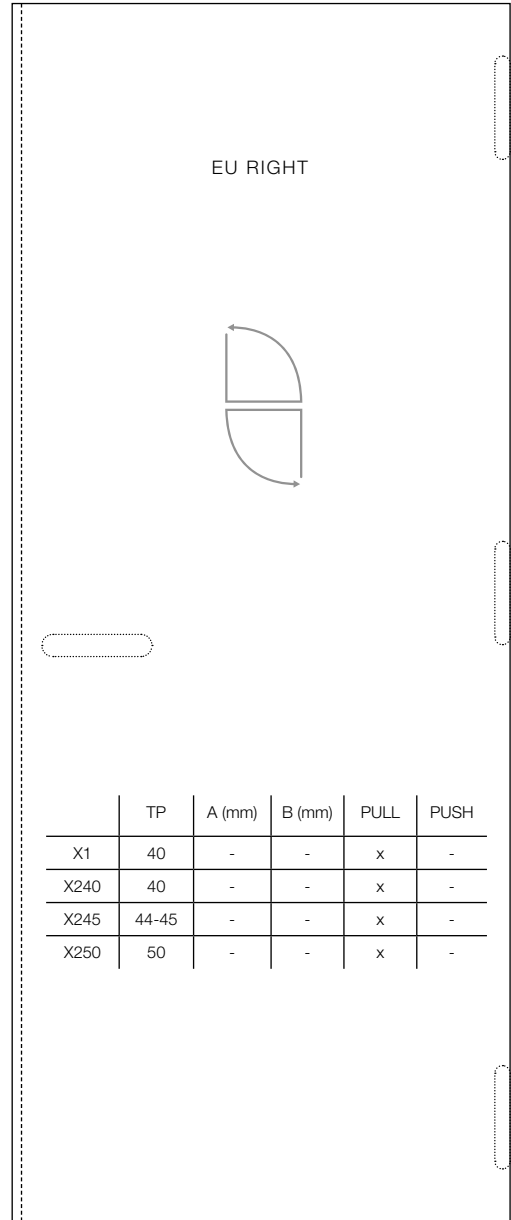
REBATES

DOOR **TYPE A** EU LEFT/RIGHT

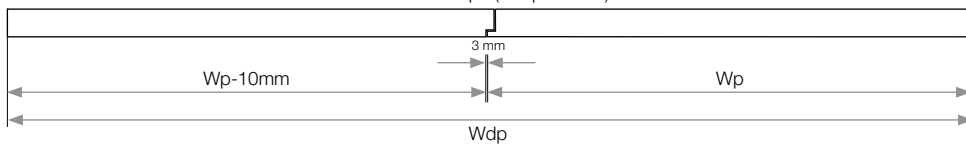
PASSIVE DOOR LEAF



ACTIVE DOOR LEAF

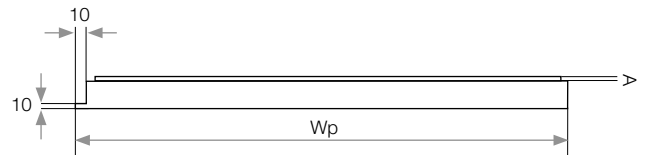
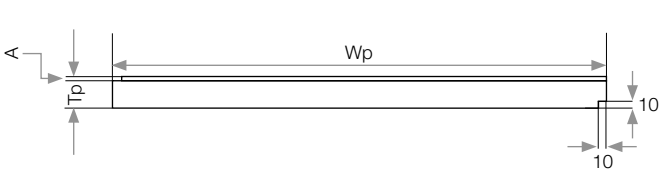
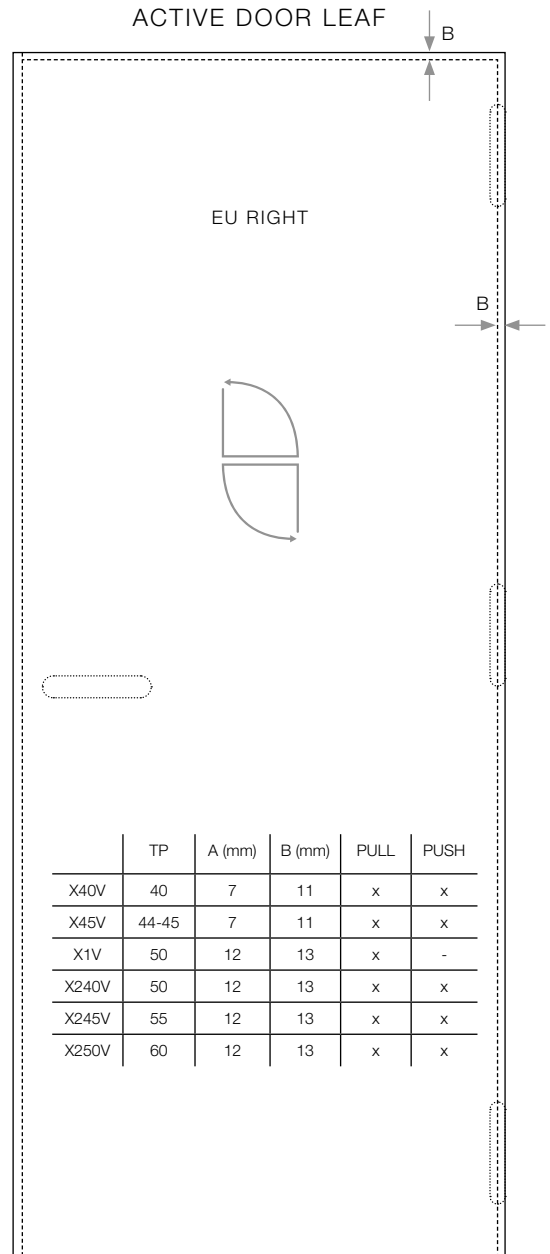
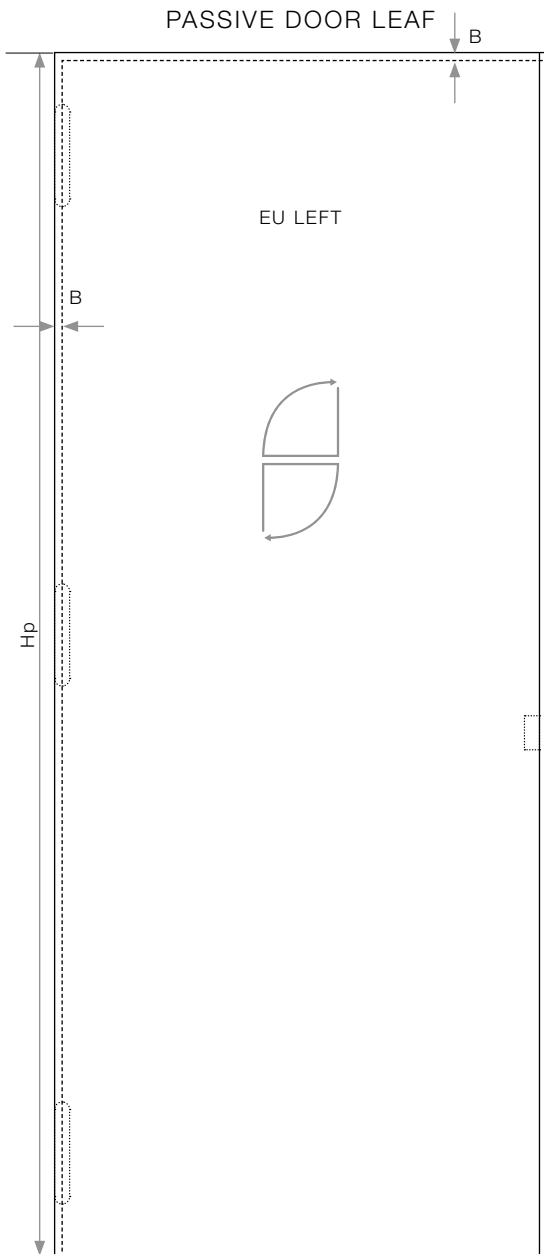


Formula: $Wp = (Wdp + 7mm) / 2$

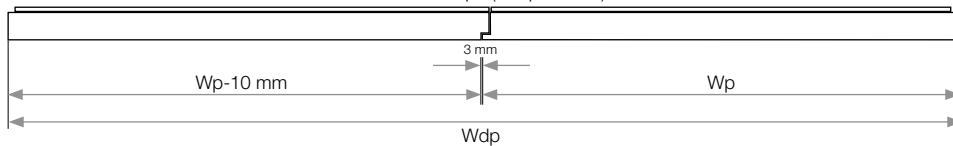


REBATES

DOOR **TYPE B** EU LEFT/RIGHT



Formula: $W_p = (W_{dp} + 7\text{mm}) / 2$



XINNIX **LOCK** FOR DOUBLE DOOR ACTIVE PANEL EU RIGHT



□

	Lock	Y: 8mm
🔑	XA-D70BB.CS	90 (standard)
🔑	XA-D73WC.CS	95 (in option)
🔑	XA-D78PZ.CS	85 (in option)

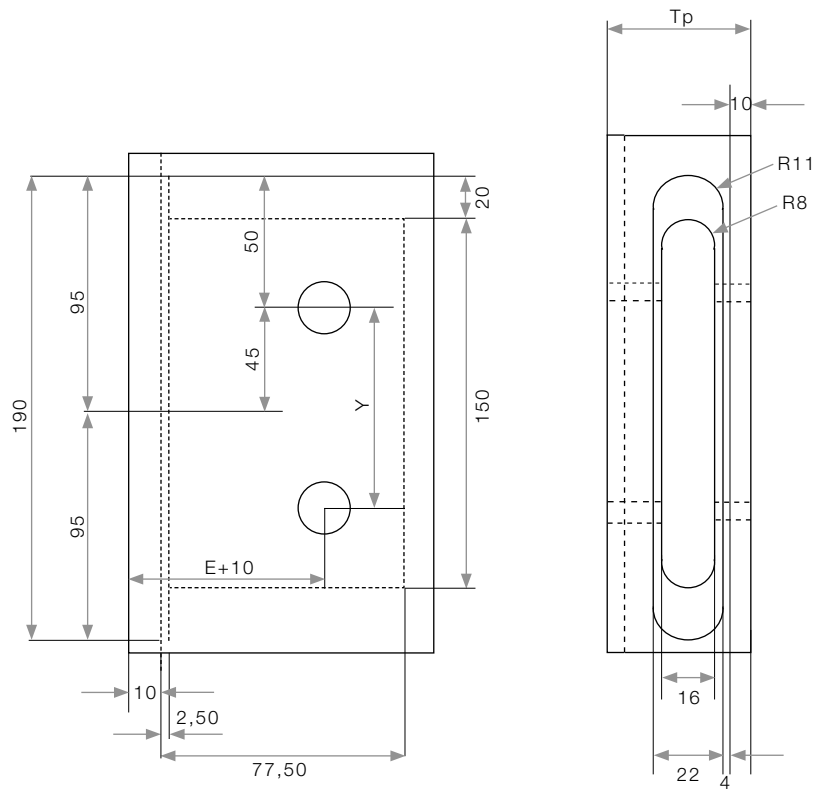
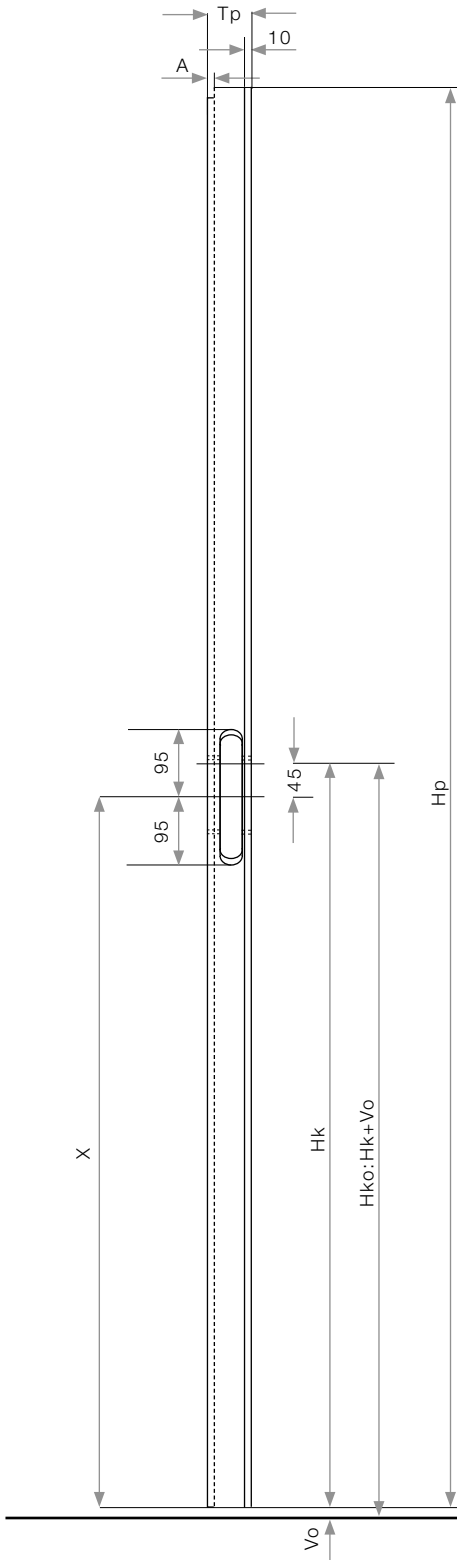
E=50

Standard Vo=3mm

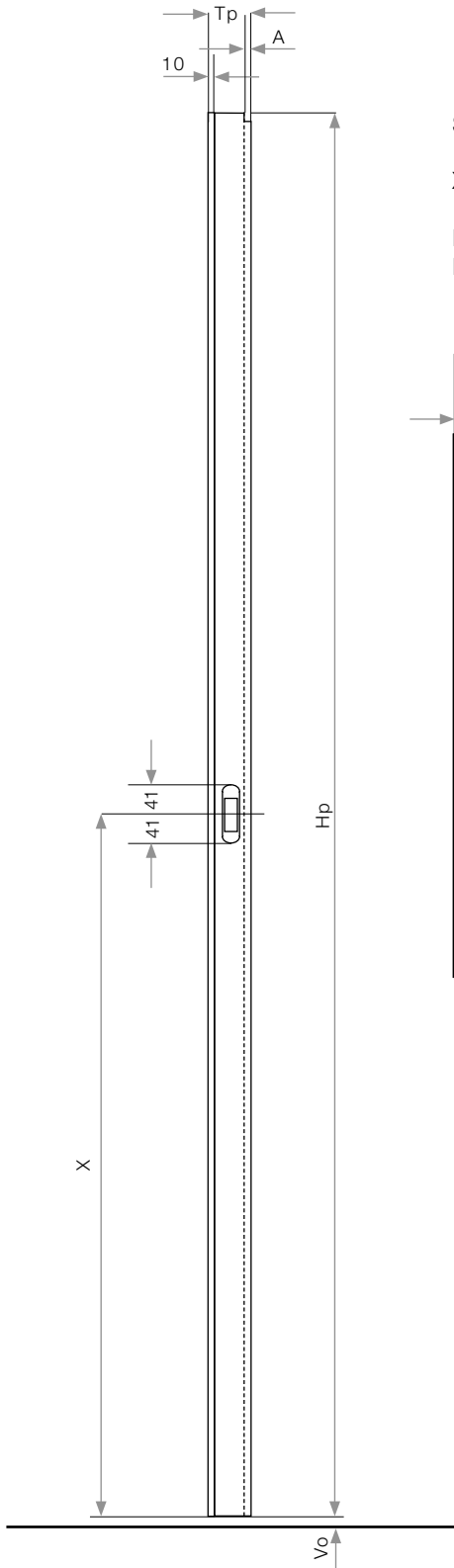
X is depending on Hk(height handle on door)

Hk=X+45mm (height handle on door)

Hko=Hk+Vo (height floor-height handle)



COUNTERSTRIKE FOR XINNIX LOCKS FOR DOUBLE DOOR PASSIVE PANEL EU LEFT

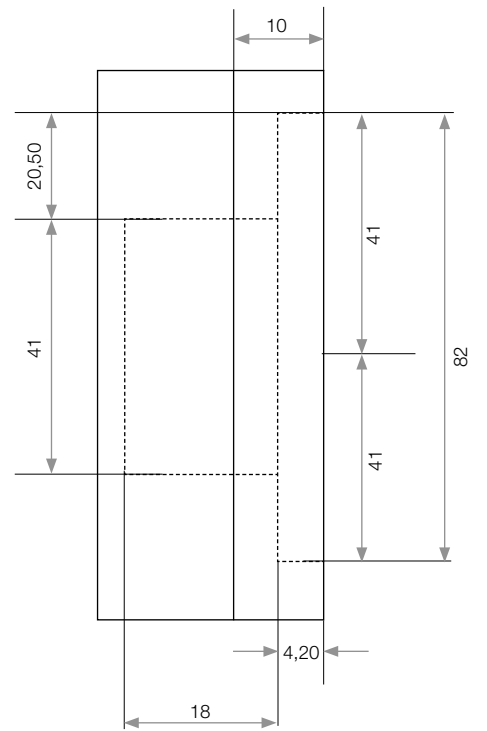
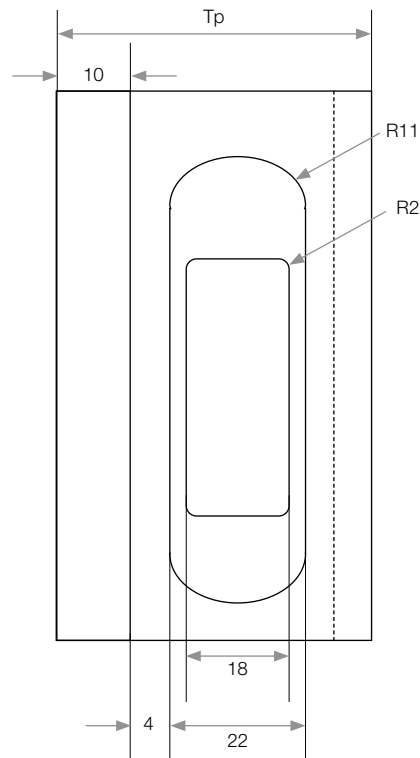


Standard $V_o=3\text{mm}$

X is depending on H_k (height handle on door)

$H_k=X+45\text{mm}$ (height handle on door)

$H_{ko}=H_k+V_o$ (height floor-height handle)



DIN LOCK FOR DOUBLE DOOR ACTIVE PANEL EU RIGHT



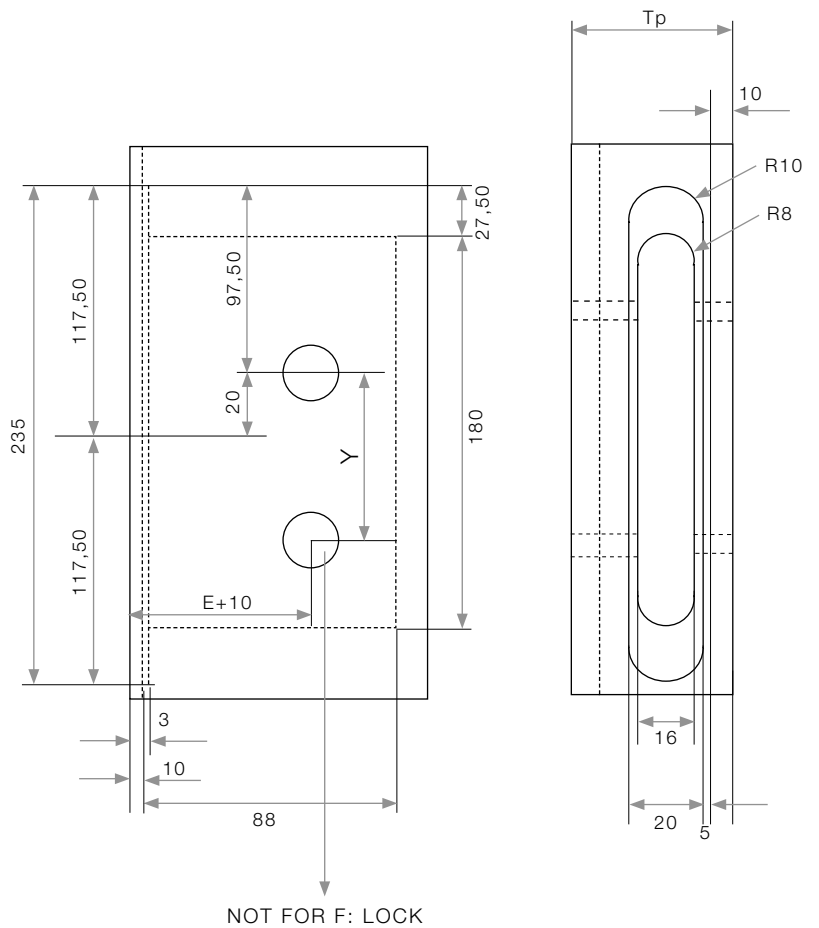
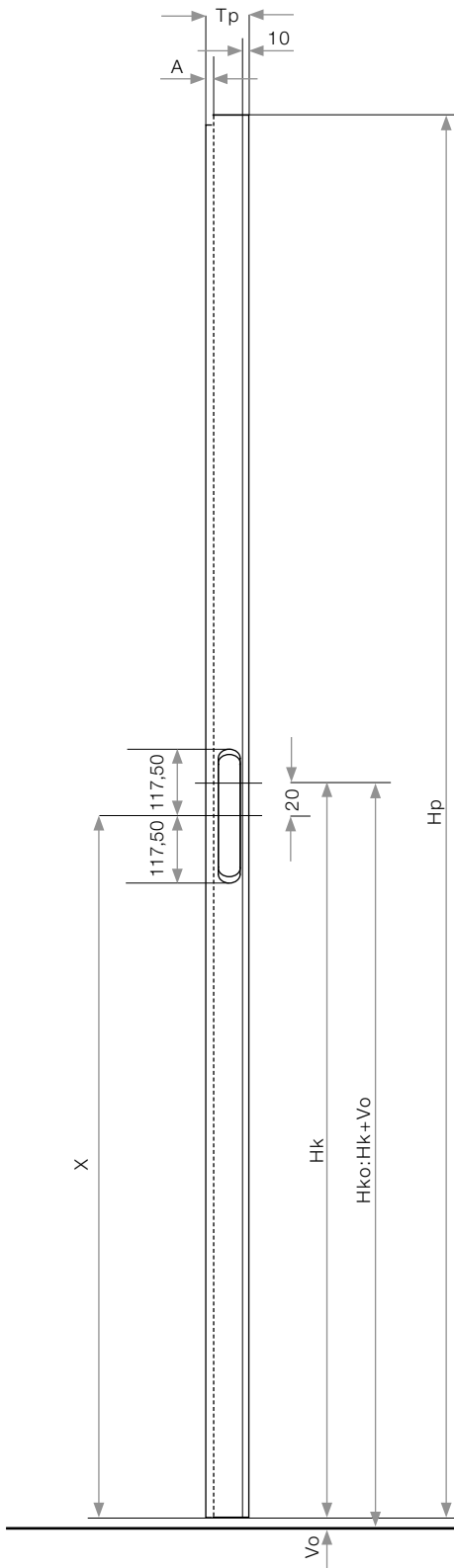
Standard $V_o=3\text{mm}$
Standard $X=1030\text{mm}$

$H_k=X+20\text{mm}$ (height handle on door)
 $H_{ko}=H_k+V_o$ (height floor-height handle)

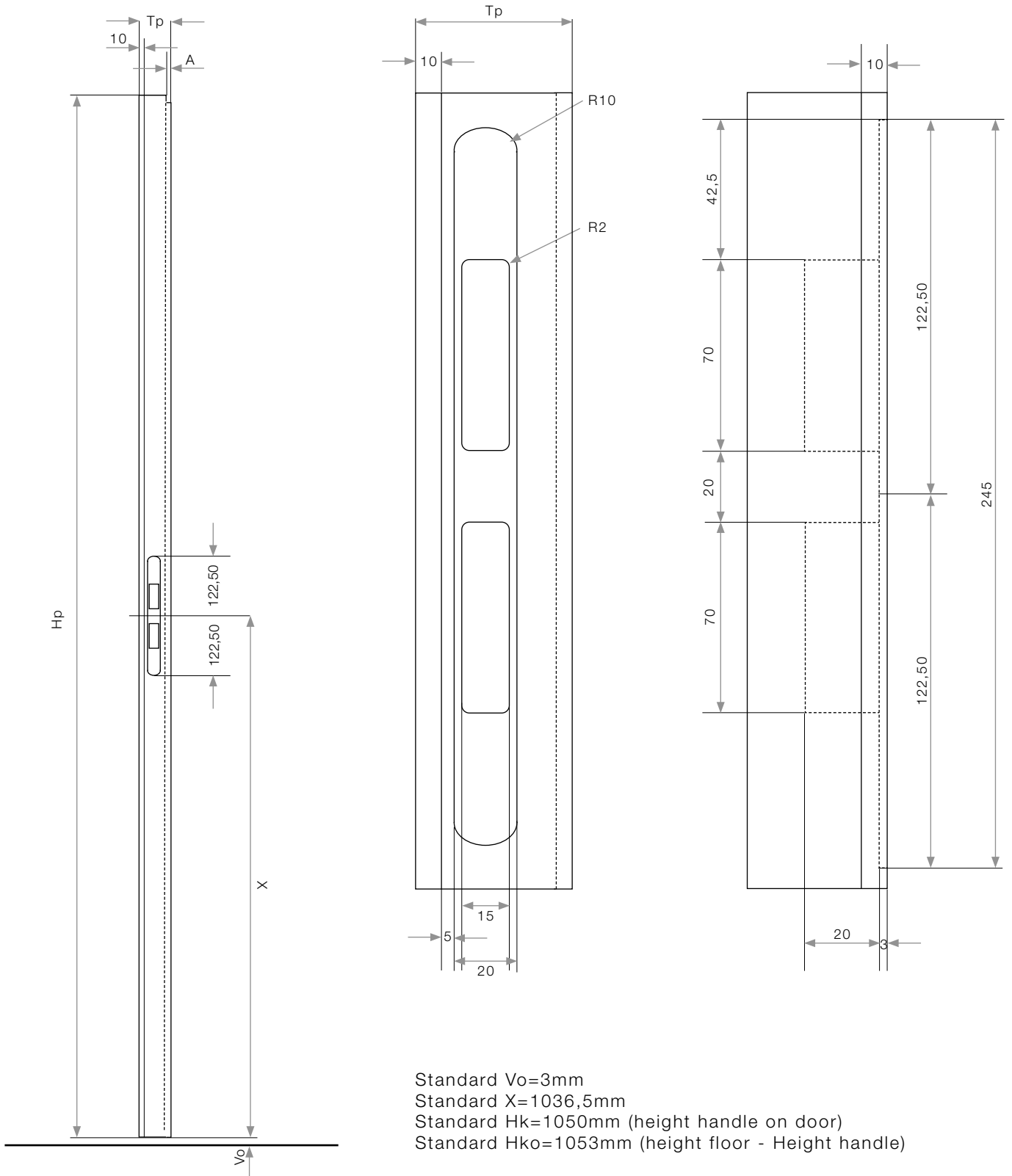
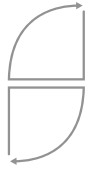
K F V	DIN lock		Y: $\square 8\text{mm}$
		F	-
		BB	72
		WC	78

X - N - N - X	DIN lock		Y: $\square 8\text{mm}$
		R15	72
		R17	78
		R19	72
		R35	72
		R37	78

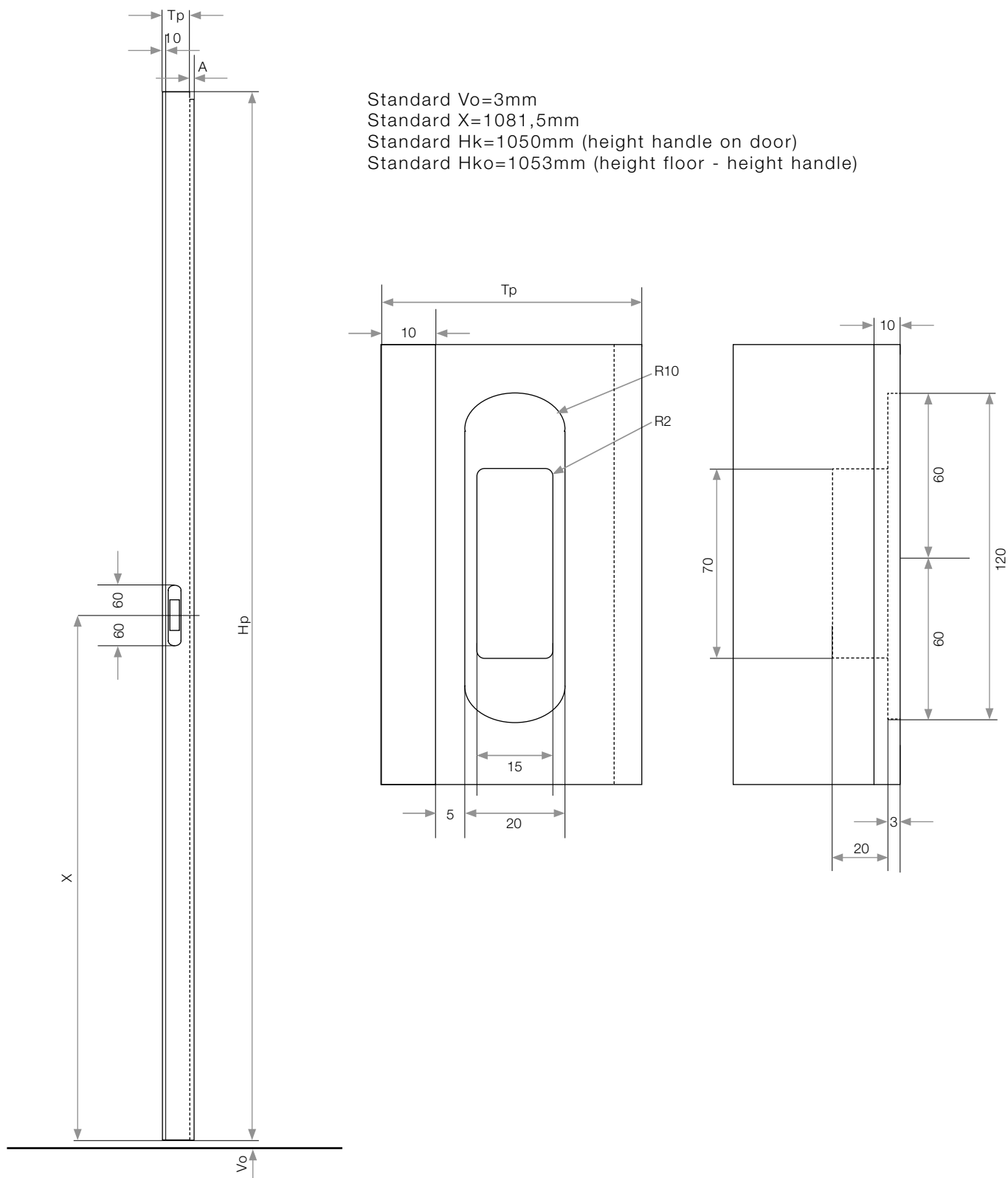
E=55



COUNTERSTRIKE FOR DIN KfV BB - WC -PZ LOCKS FOR DOUBLE DOOR PASSIVE PANEL EU LEFT

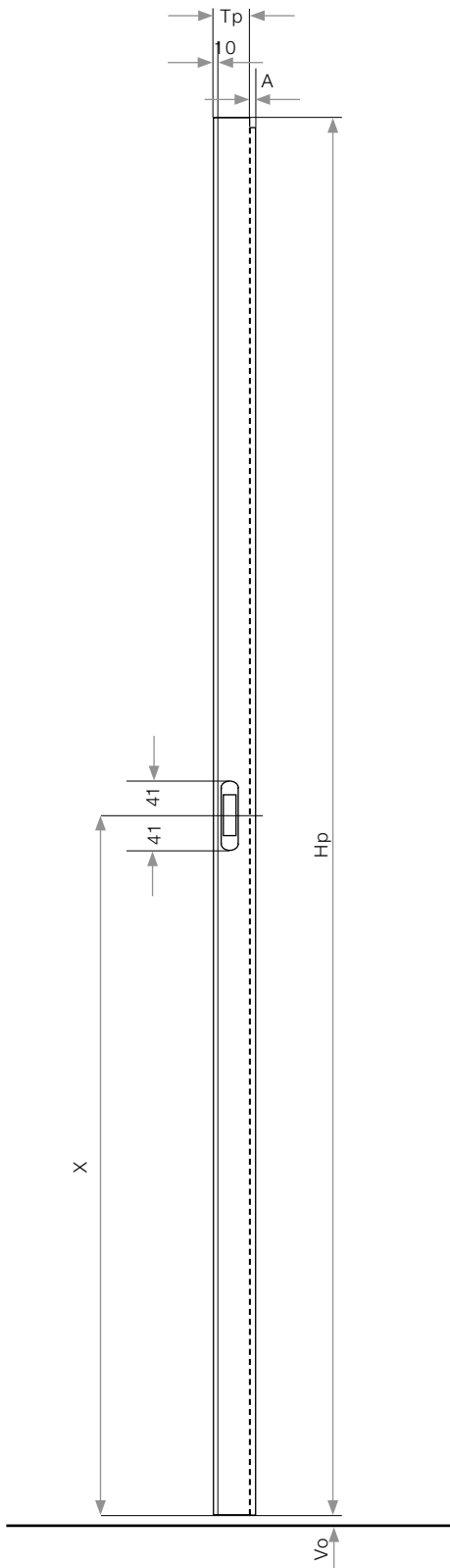
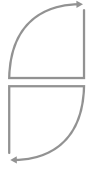


COUNTERSTRIKE FOR DIN KVV F LOCK FOR DOUBLE DOOR PASSIVE PANEL EU LEFT

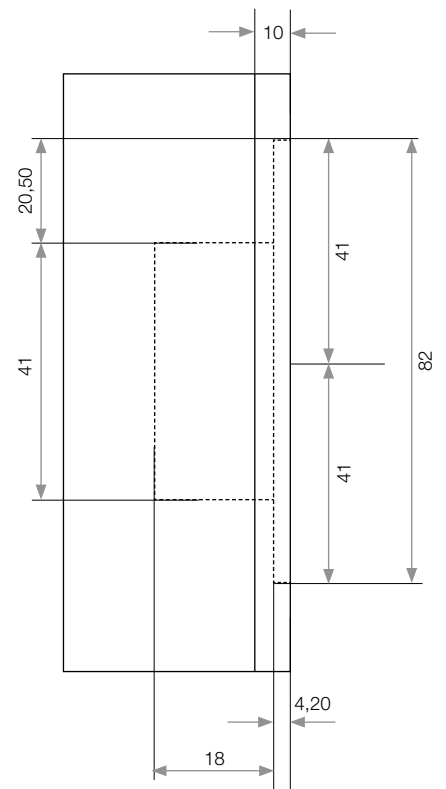
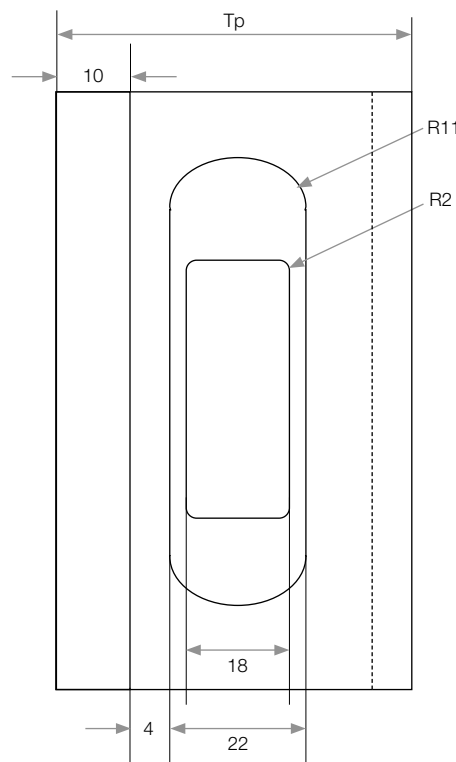


Counter strike KVV art.nr. 116-120-20HR/41

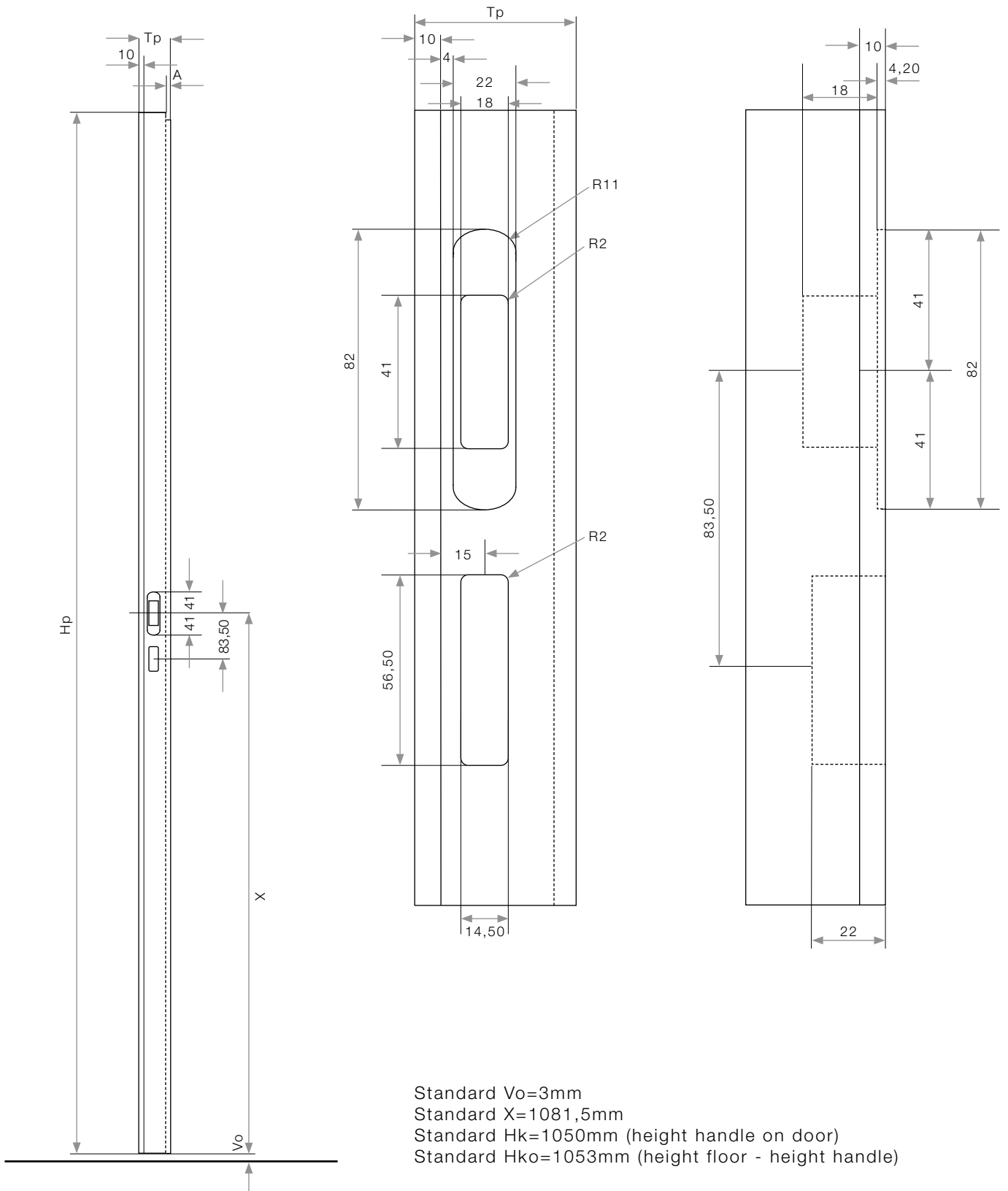
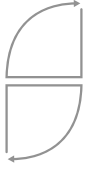
COUNTERSTRIKE FOR DIN XINNIX LOCK R15 - R17 - R19 FOR DOUBLE DOOR PASSIVE PANEL EU LEFT



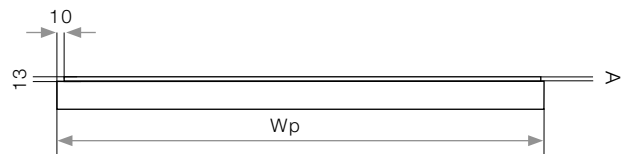
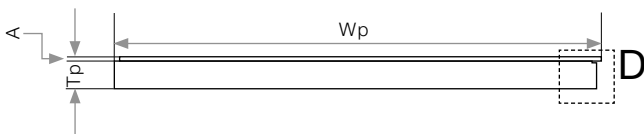
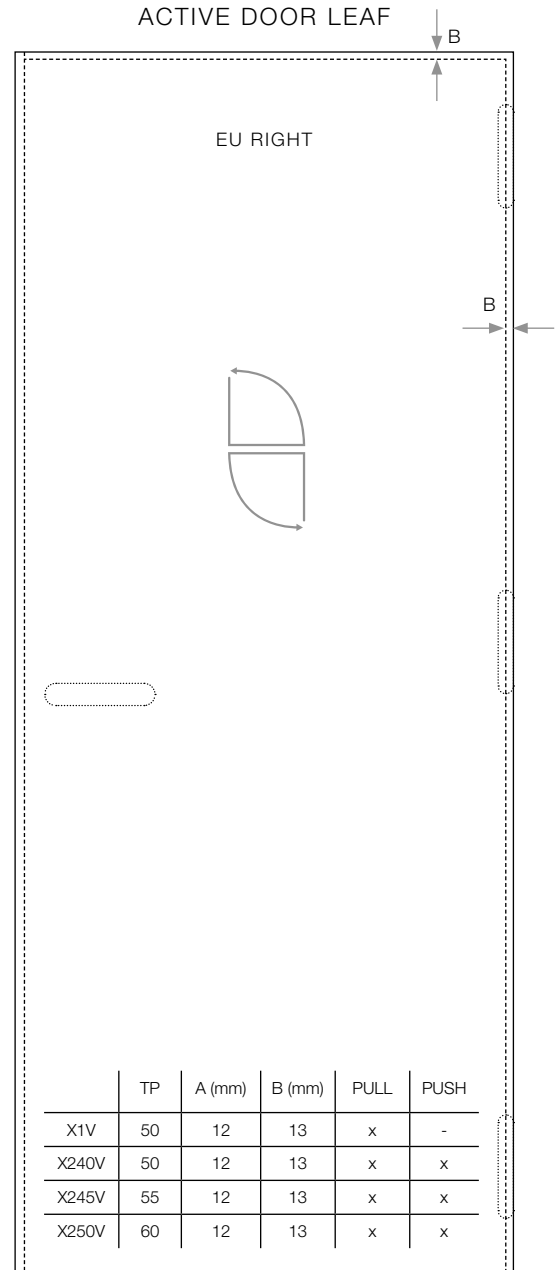
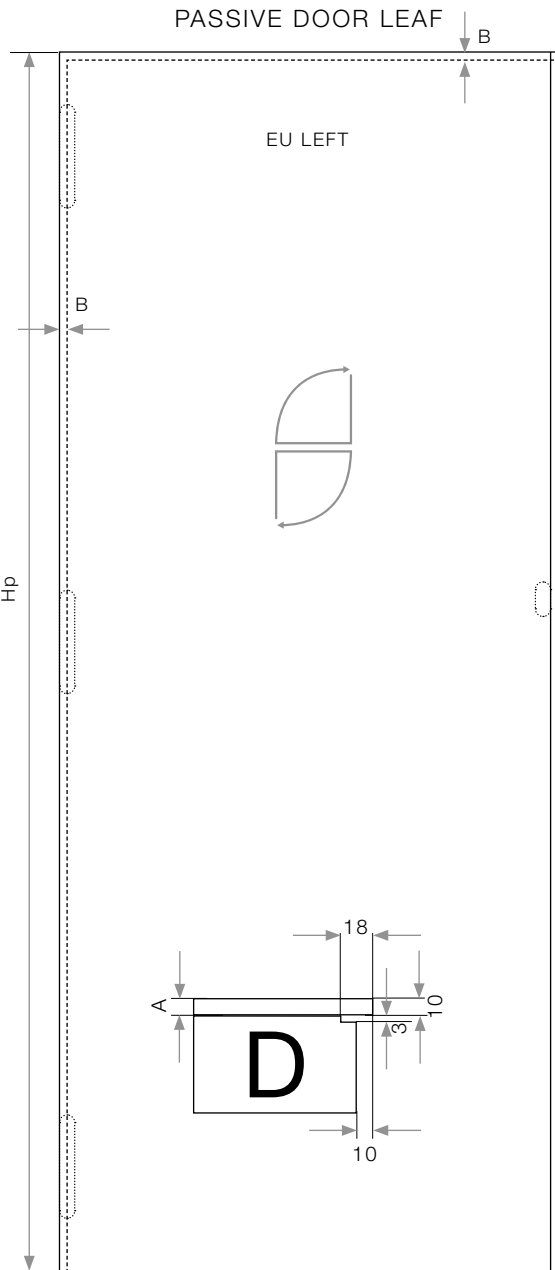
Standard $V_o=3\text{mm}$
 Standard $X=1081,5\text{mm}$
 Standard $H_k=1050\text{mm}$ (height handle on door)
 Standard $H_{ko}=1053\text{mm}$ (height floor - height handle)



COUNTERSTRIKE FOR DIN XINNIX LOCK R35 - R37 - R59 FOR DOUBLE DOOR PASSIVE PANEL EU LEFT



PUSH&GO FOR DOUBLE DOOR



Formula: $Wp = (Wdp + 7mm) / 2$

